



T&S BRASS AND BRONZE WORKS, INC.
 2 SADDLEBACK COVE / P.O. BOX 1088 / TRAVELERS REST, SC 29690
 PHONE 800-476-4103 FAX 864-834-3518



Model No.

B-0326

Item No.:

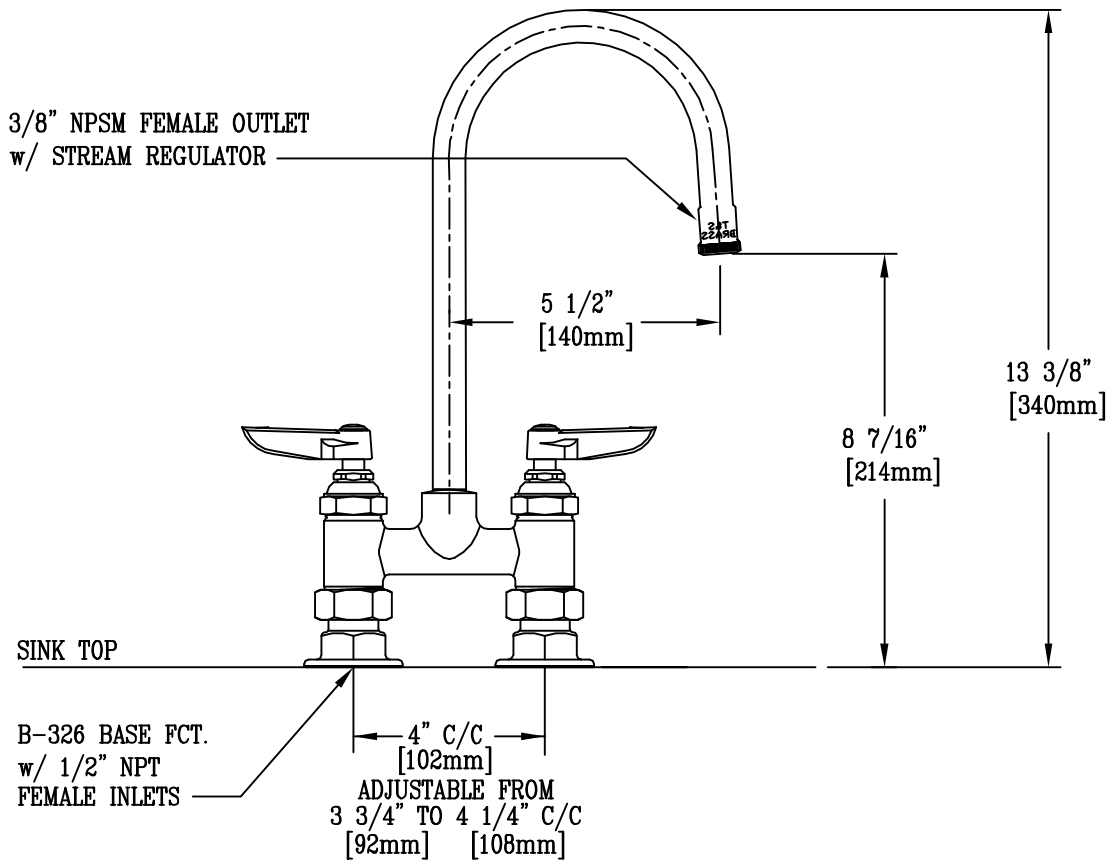
Job Name:

Architect/Engineer Approval:

Notes:



ADA COMPLIANT



NSF STANDARD 61, SECTION 9 CERTIFIED

Product Description:
 4" c/c DECK MOUNTED MIXING FCT. w/
 120X RIGID GOOSENECK, STREAM REGULATOR, BWH4"
 HANDLES, & 1/2" NPT FEMALE INLETS

Drawn:

WJS

Approved

MVW

Checked

MVW

Scale:

1 : 4

Date:

6-16-99