



**T&S BRASS AND BRONZE WORKS, INC.**  
 2 SADDLEBACK COVE / P.O. BOX 1088 / TRAVELERS REST, SC 29690  
 PHONE 800-476-4103 FAX 864-834-3518



Model No.

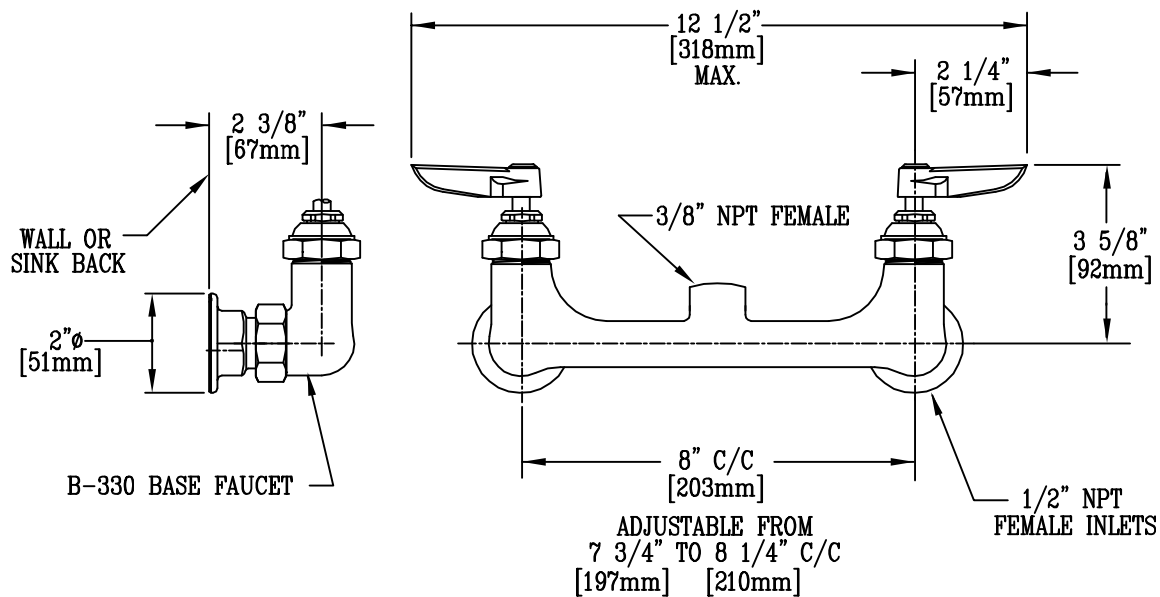
B-0330-LN

Item No.:

Job Name:

Architect/Engineer Approval:

Notes:



**NOTES:**

1. ALSO AVAILABLE WITH B-WH-4" OR B-WH-6" WRIST ACTION BLADE HANDLES.
2. NSF STANDARD 61, SECTION 9 CERTIFIED.

Product Description:

SINK MIXING FAUCET LESS GOOSENECK

Drawn:

MCW

Approved

CA

Checked

ARD

Scale:

3"=1'

Date:

7-17-95