



T&S BRASS AND BRONZE WORKS, INC.
 2 SADDLEBACK COVE / P.O. BOX 1088 / TRAVELERS REST, SC 29690
 PHONE 800-476-4103 FAX 803-834-3518



Model No.

B-0353

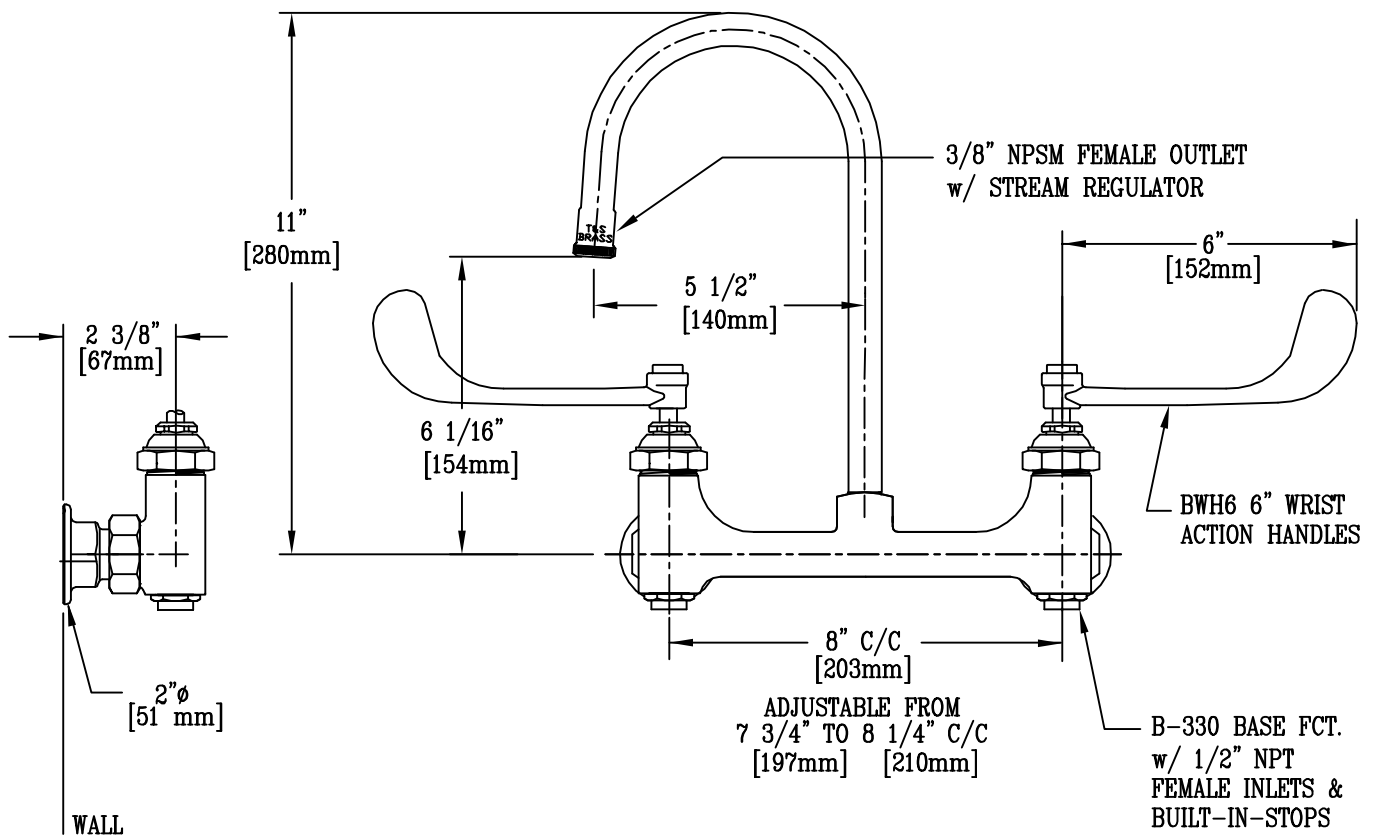
Item No.:

REG.#A2601
ISO #9002

Job Name:

Architect/Engineer Approval:

Notes:



Product Description:

8" c/c WALL MOUNTED SURGICAL SINK FAUCET w/ 120X RIGID GOOSENECK, STREAM REGULATOR & 6" WRIST ACTION HANDLES

Drawn:

WJS

Approved

MVW

Checked

MVW

Scale:

1 : 4

Date:

6-16-99