

T&S BRASS AND BRONZE WORKS, INC.
 2 SADDLEBACK COVE / P.O. BOX 1088 / TRAVELERS REST, SC 29690
 PHONE 800-476-4103 FAX 864-834-3518



Model No.

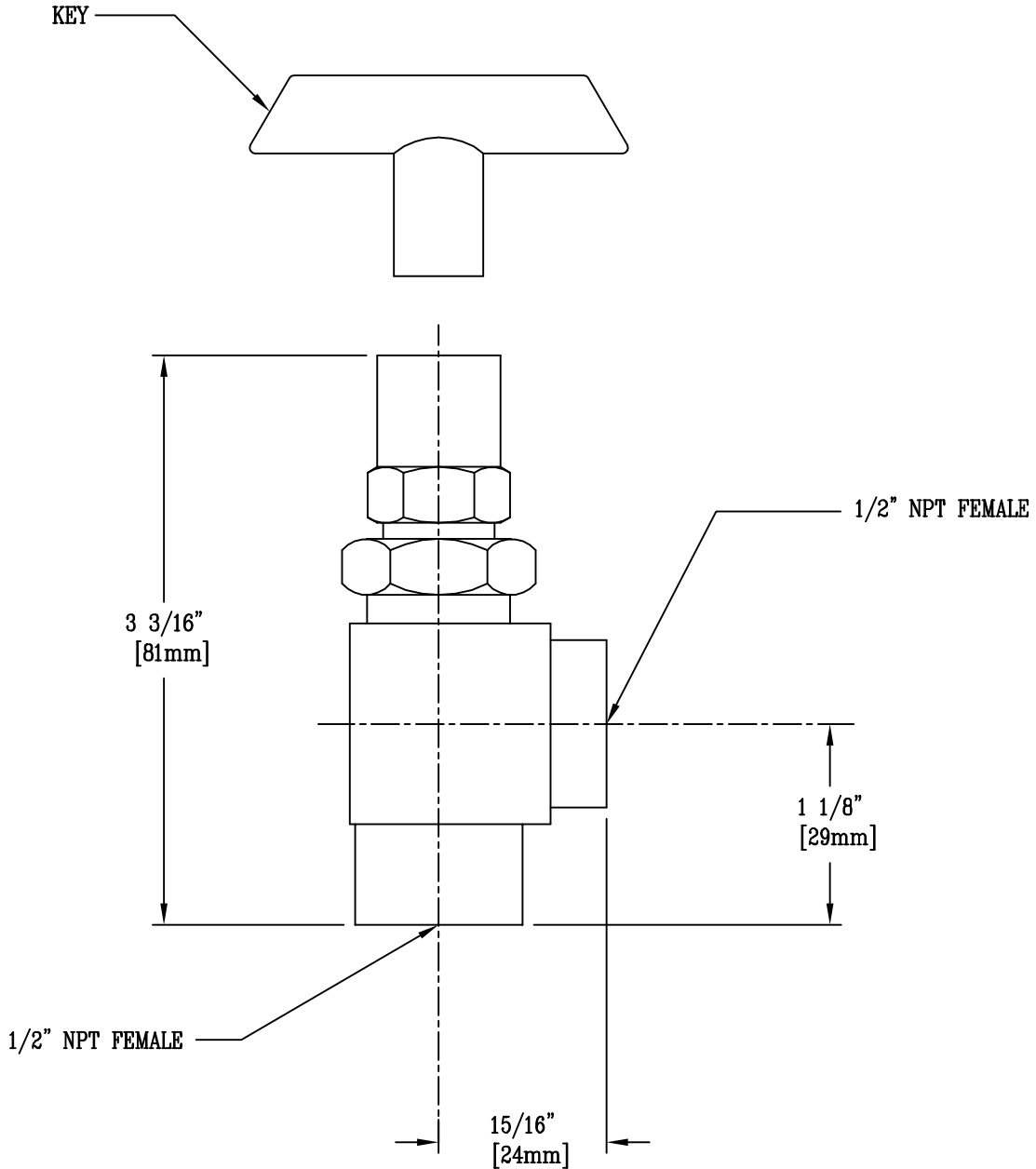
B-0418

Item No.:

Job Name:

Architect/Engineer Approval:

Notes:



Product Description:

1/2" NPT ANGLE LOOSE KEY STOP

Drawn:

JKD

Checked

WJS

Scale:

1 : 1

Approved

MVW

Date:

07/10/02