



T&S BRASS AND BRONZE WORKS, INC.  
 2 SADDLEBACK COVE / P.O. BOX 1088 / TRAVELERS REST, SC 29690  
 PHONE 800-476-4103 FAX 864-834-3518



Model No.

B-0427

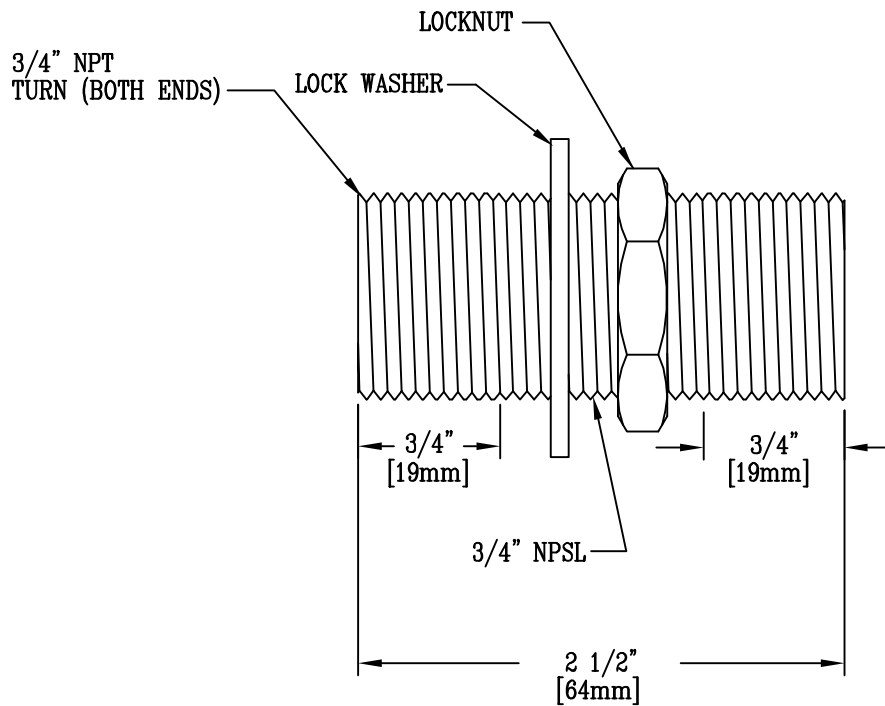
Item No.:

REG. #A2601  
 ISO #9002

Job Name:

Architect/Engineer Approval:

Notes:



Product Description:

SUPPLY NIPPLE UNIT-3/4" X 2 1/2"

Drawn:

MCW

Approved

CA

Checked

JKD

Scale:

1' = 1'

Date:

8/10/95