



T&S BRASS AND BRONZE WORKS, INC.
 2 SADDLEBACK COVE / P.O. BOX 1088 / TRAVELERS REST, SC 29690
 PHONE 800-476-4103 FAX 803-834-3518



Model No.

B-0446

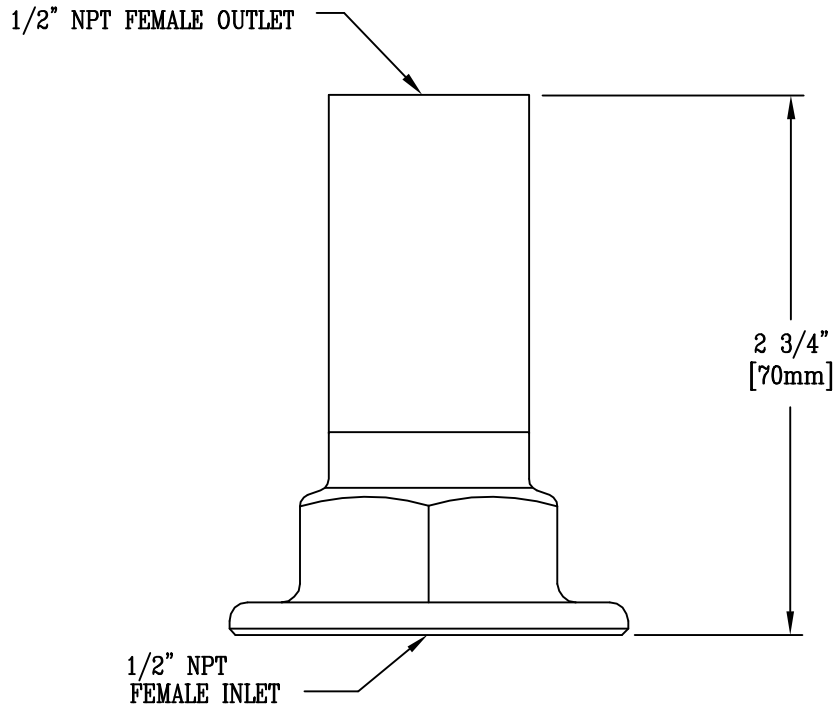
Item No.:

REG.#A2601
ISO #9002

Job Name:

Architect/Engineer Approval:

Notes:



NOTE:

USED ON THE INLETS OF SINGLE FAUCETS WITH 1/2" IPS MALE
 THREADS TO PROVIDE EXTENSIONS. THEY SHOULD BE FACTORY
 FITTED AS ORIGINAL EQUIPMENT.

Product Description:

2 3/4" INLET EXTENSION-1/2" NPT

Drawn:

MCW

Approved

CA

Checked

JKD

Scale:

1' = 1'

Date:

8/10/95