



**T&S BRASS AND BRONZE WORKS, INC.**

2 SADDLEBACK COVE / P.O. BOX 1088 / TRAVELERS REST, SC 29690

PHONE 800-476-4103

FAX 864- 834-3518



REG. #A2601  
ISO #9002

Model No.

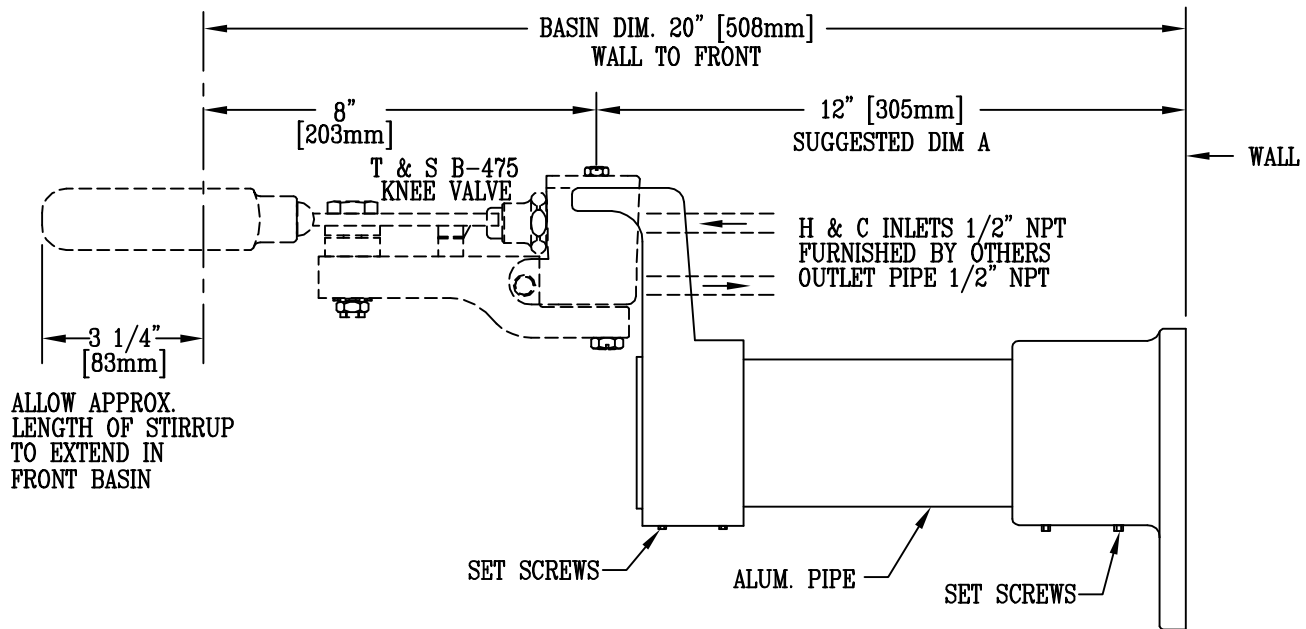
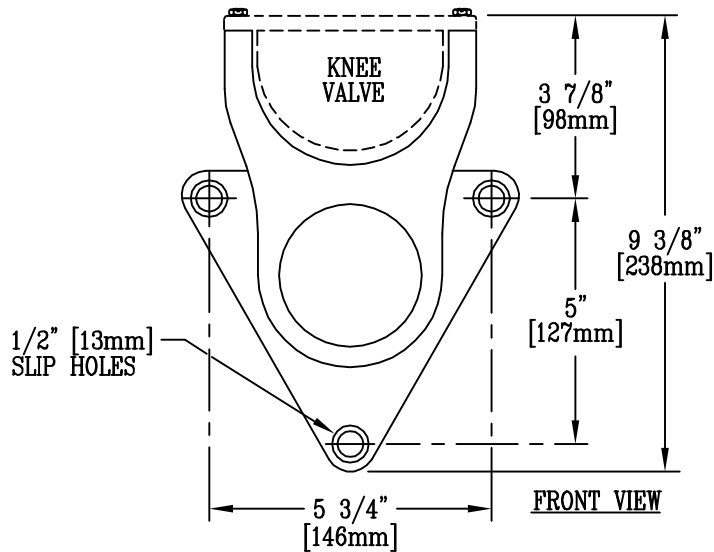
B-0473

Item No.:

Job Name:

Architect/Engineer Approval:

Notes:



**NOTE:**

DIM. A IS SUGGESTED AS 12" FOR 20" [305mm to 508mm] (BACK TO FRONT) BASIN WHICH ALLOWS APPROX. 3 1/4" [83mm] OF KNEE STIRRUP TO EXTEND IN FRONT OF BASIN. SPECIFY DIM. A IF OTHER DIMENSIONS OR BASINS ARE REQUIRED. DIM. A CAN BE SHORTENED ON JOB BY CUTTING ALUM. PIPE OF UNIT.

Product Description:

Drawn:

Checked

Scale:

MCW

JKD

3" = 1'

Approved

Date:

CA

8/10/95

WALL SUPPORT