



**T&S BRASS AND BRONZE WORKS, INC.**  
 2 SADDLEBACK COVE / P.O. BOX 1088 / TRAVELERS REST, SC 29690  
 PHONE 800-476-4103 FAX 864- 834-3518



Model No.

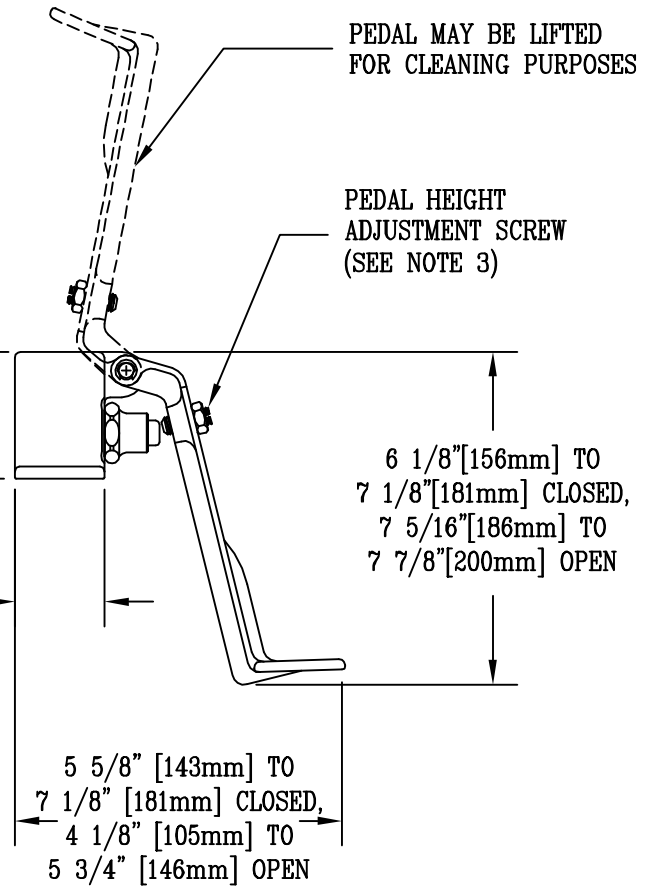
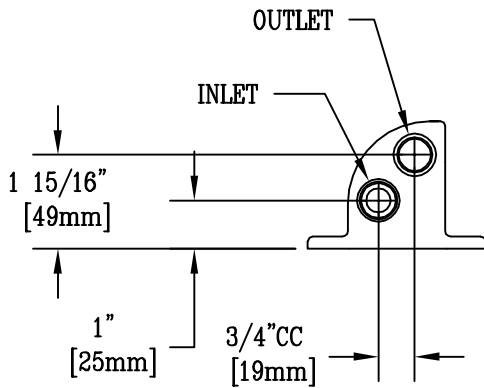
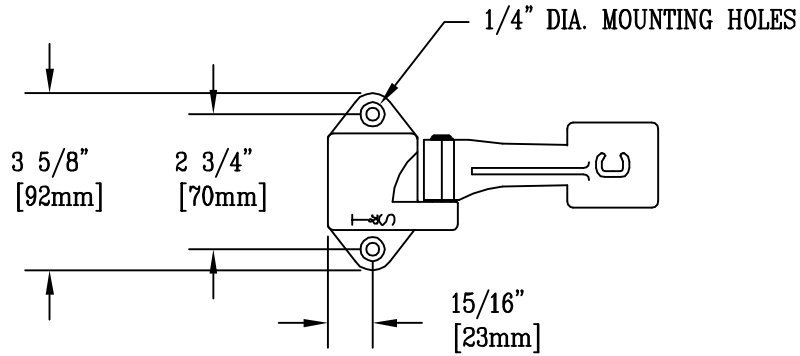
B-0507-01

Item No.:

Job Name:

Architect/Engineer Approval:

Notes:



NOTE 1: INLET & OUTLET ARE 1/2" NPT FEMALE  
 NOTE 2: FURNISHED WITH (2) WOOD MOUNTING SCREWS  
 NOTE 3: PEDAL DIMENSIONS VARY ACCORDING TO MAXIMUM AND MINIMUM SETTINGS OF ADJUSTMENT SCREW

Product Description:

B-0507 SINGLE PEDAL VALVE WITH B-0505 PEDAL

Drawn:

TME

Checked

JKD

Scale:

1:4

Approved

MVW

Date:

2/25/00