



**T&S BRASS AND BRONZE WORKS, INC.**  
 2 SADDLEBACK COVE / P.O. BOX 1088 / TRAVELERS REST, SC 29690  
 PHONE 800-476-4103 - FAX 864- 834-3518



MODEL NO.

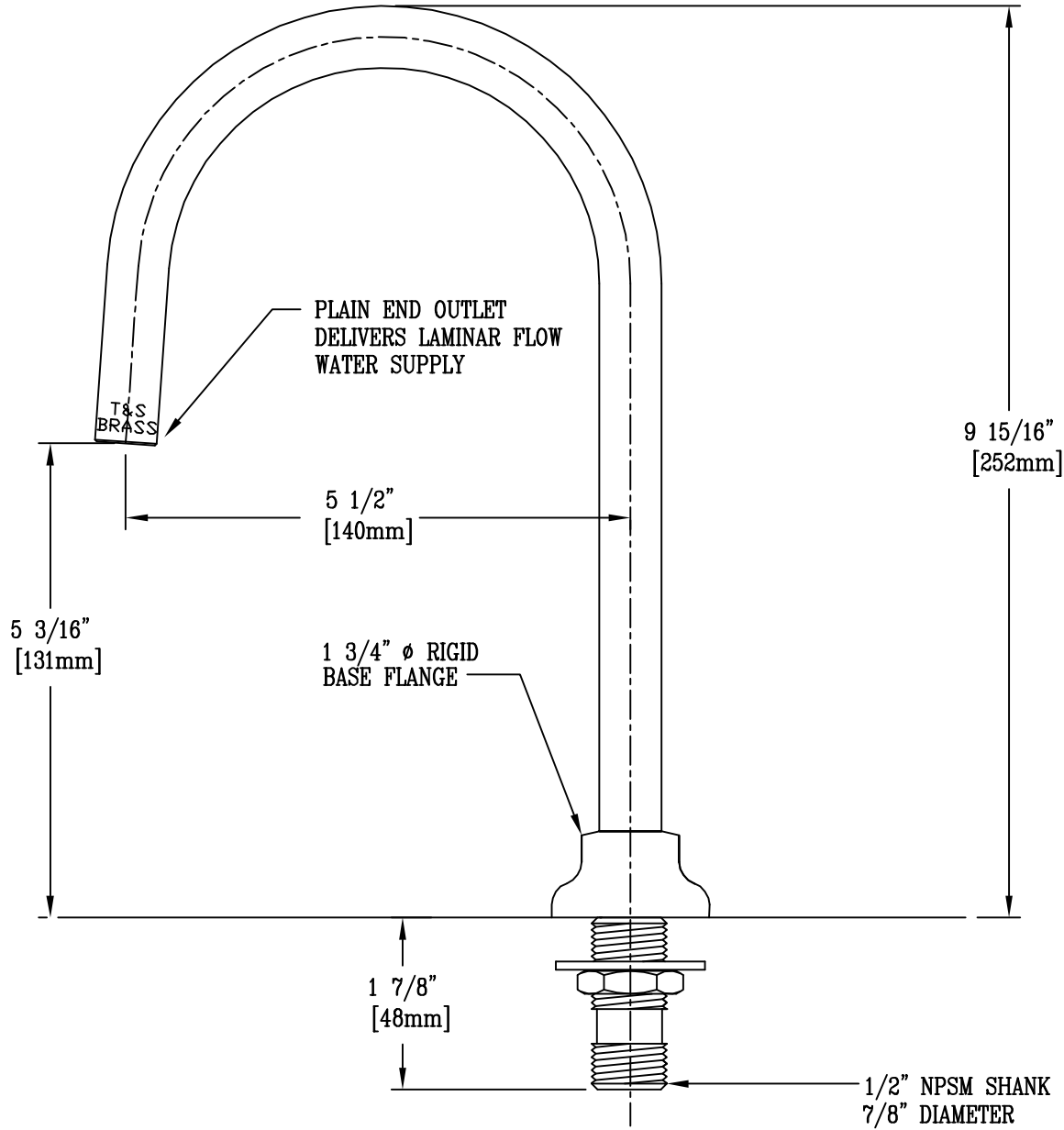
B-0520-F1

RELIABILITY  
 BUILT IN

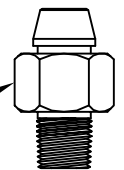
Job Name:

Architect/Engineer Approval:

Notes:



150A TAILPIECE  
 AND NUT FURNISHED  
 FOR OPTIONAL  
 1/4" NPT CONNECTION



Product Description:  DECK MOUNT RIGID GOOSENECK UNIT WITH PLAIN END GOOSENECK FOR LAMINAR FLOW WATER SUPPLY	Drawn:	Checked	Scale:
	LEL	JKD	1 : 2
	Approved		Date:
	MVW		6/27/02