



T&S BRASS AND BRONZE WORKS, INC.
 2 SADDLEBACK COVE / P.O. BOX 1088 / TRAVELERS REST, SC 29690
 PHONE 800-476-4103 FAX 864-834-3518



Model No.

B-0526-2

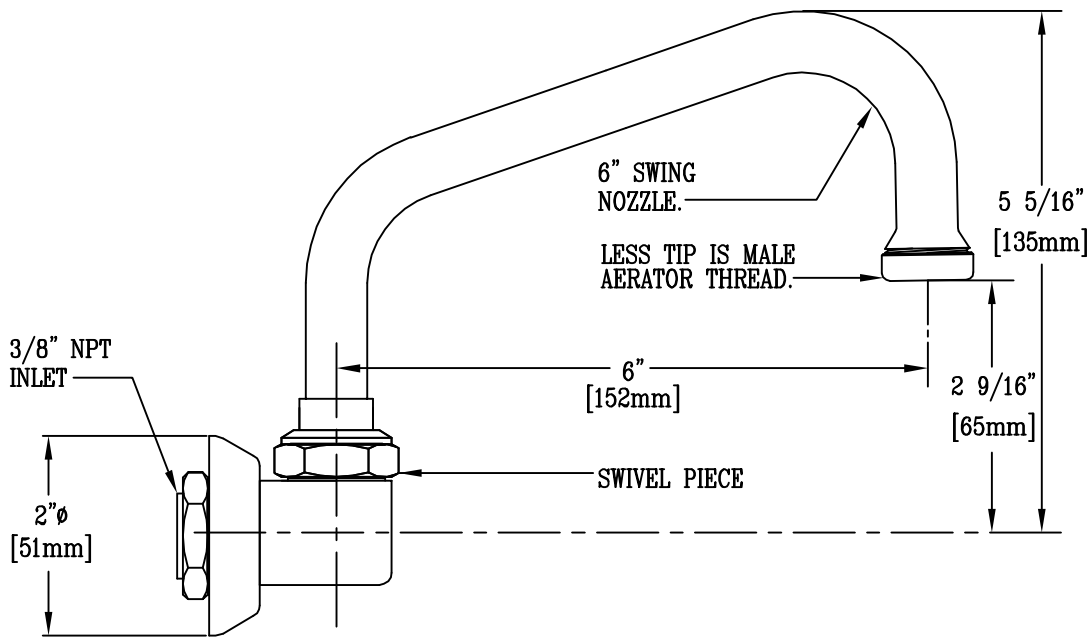
Item No.:

REG.#A2601
 ISO #9002

Job Name:

Architect/Engineer Approval:

Notes:



Product Description:
 WALL MOUNTED DUMMY GOOSENECK
 WITH 59X 6" SWING NOZZLE

Drawn:

WJS

Checked

JKD

Scale:

6" = 1'

Approved

MVW

Date:

8-12-97