



**T&S BRASS AND BRONZE WORKS, INC.**  
 2 SADDLEBACK COVE / P.O. BOX 1088 / TRAVELERS REST, SC 29690  
 PHONE 800-476-4103 - FAX 864- 834-3518



Model No.

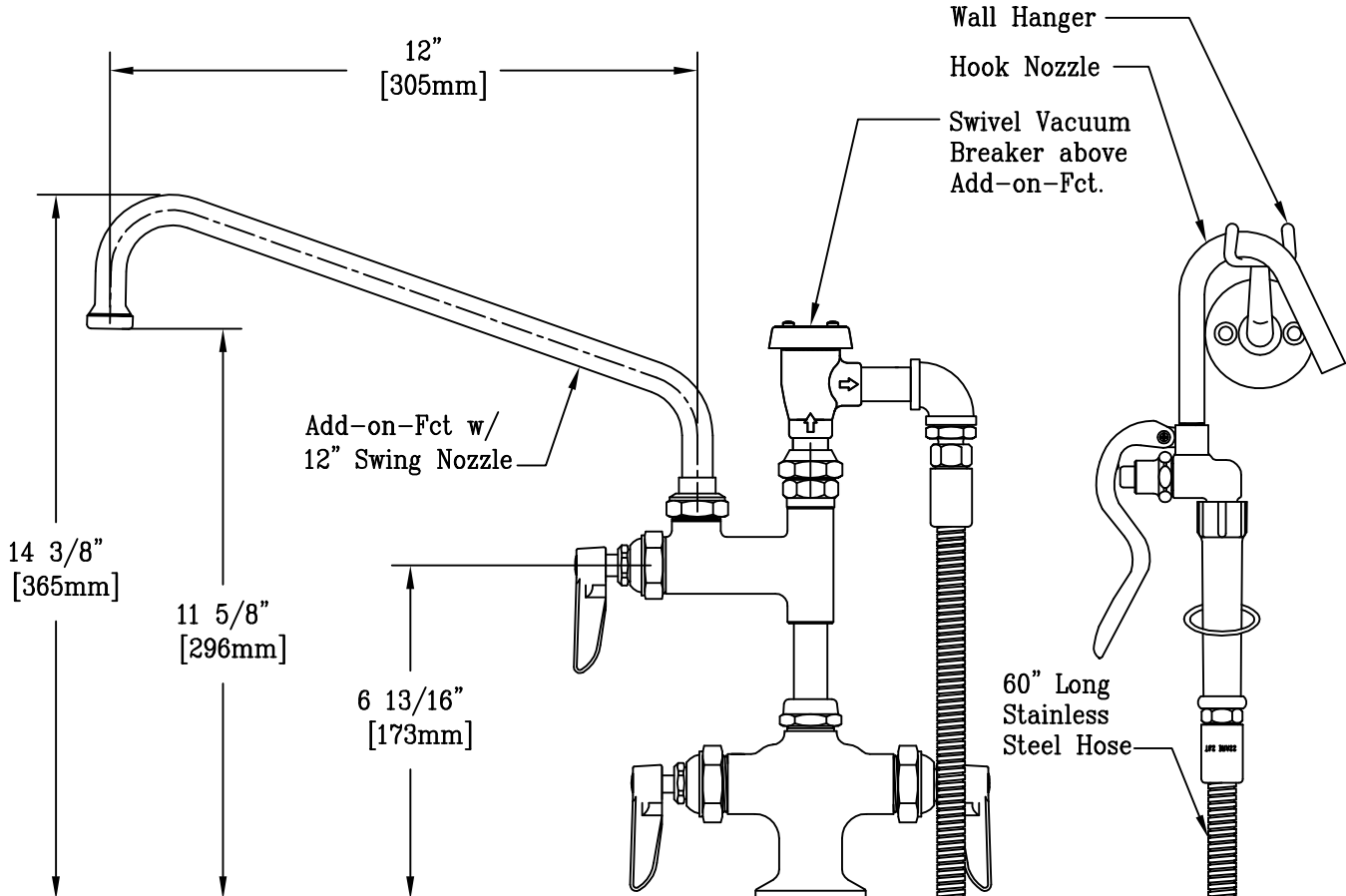
B-0602

**RELIABILITY  
 BUILT IN**

Job Name:

Architect/Engineer Approval:

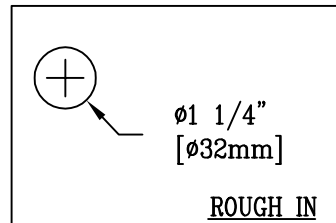
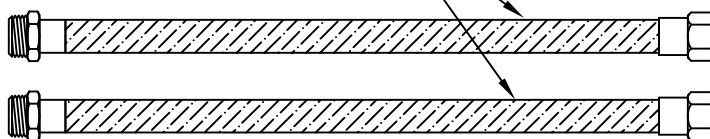
Notes:



Furnished w/ (2)  
 B-0418 Supply Stops.  
 1/2" NPT Female Inlet &  
 Outlet.

Furnished w/ (2) Optional  
 013121-45 36" Long  
 Flexible Supply Hoses. 1/2"  
 NPT Male x 1/2" NPSM  
 Female. Use in tandem  
 w/ 20" Supplies on Base

20" Long Flexible  
 Supplies. Use in  
 tandem w/ 36"  
 Supply Hoses



Product Description:

Single Hole Deck Mount Mixing Faucet w/ Flexible Supply Hoses, Supply Elbows,  
 Supply Stops, Add-on-Faucet w/ 12" Swing Nozzle, Vacuum Breaker, 60" Hose & Spray

Drawn:

WJS

Approved

JHB

Checked

JRM

Scale:

1 : 4

Date:

04/26/06