



T&S BRASS AND BRONZE WORKS, INC.
 2 SADDLEBACK COVE / P.O. BOX 1088 / TRAVELERS REST, SC 29690
 PHONE 800-476-4103 FAX 864-834-3518



Model No.

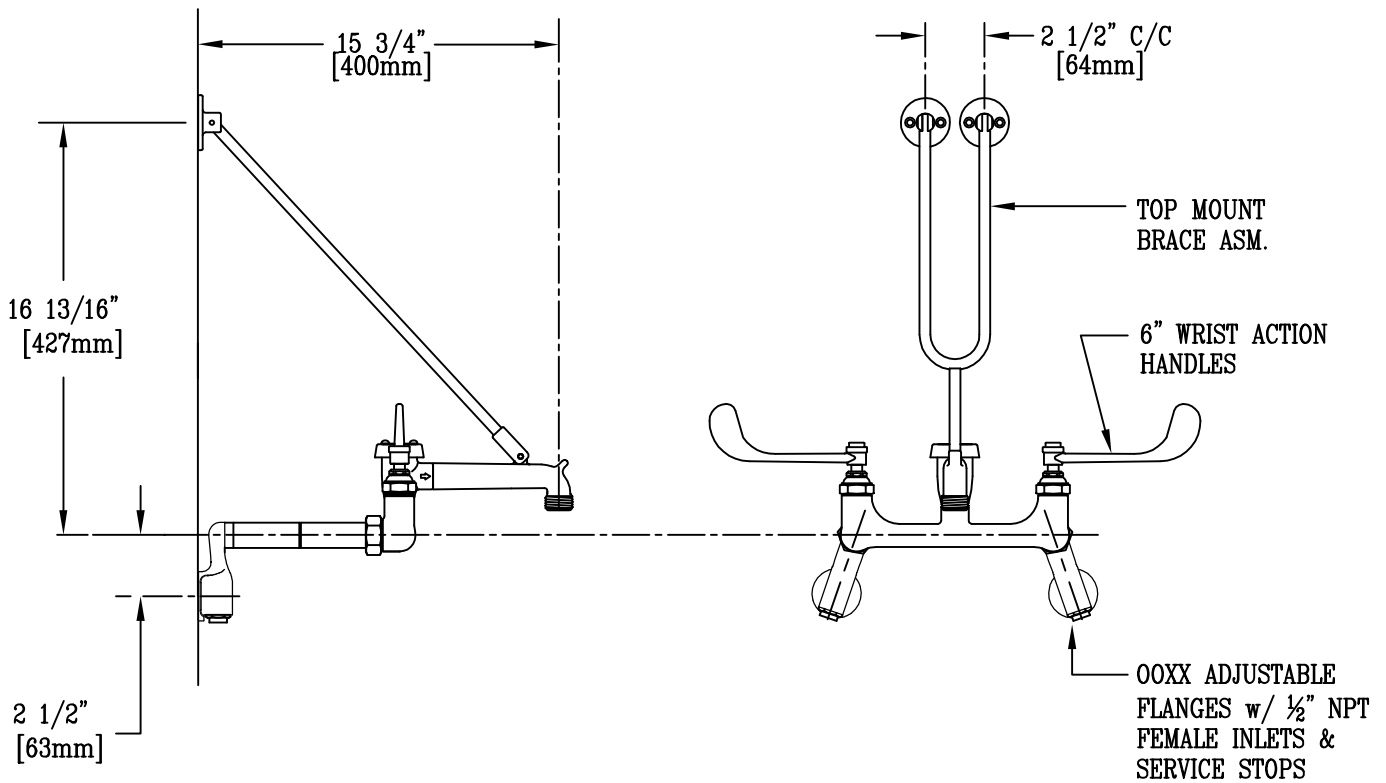
B-0655-04

Item No.:

Job Name:

Architect/Engineer Approval:

Notes:



Product Description:

SERVICE SINK FAUCET w/ TOP BRACE ASSEMBLY

Drawn:

WJS

Approved

JHB

Checked

LEL

Scale:

1:8

Date:

5/16/05