



**T&S BRASS AND BRONZE WORKS, INC.**  
 2 SADDLEBACK COVE / P.O. BOX 1088 / TRAVELERS REST, SC 29690  
 PHONE 800-476-4103 FAX 864-834-3518



REG.#A2601  
 ISO #9002

Model No.

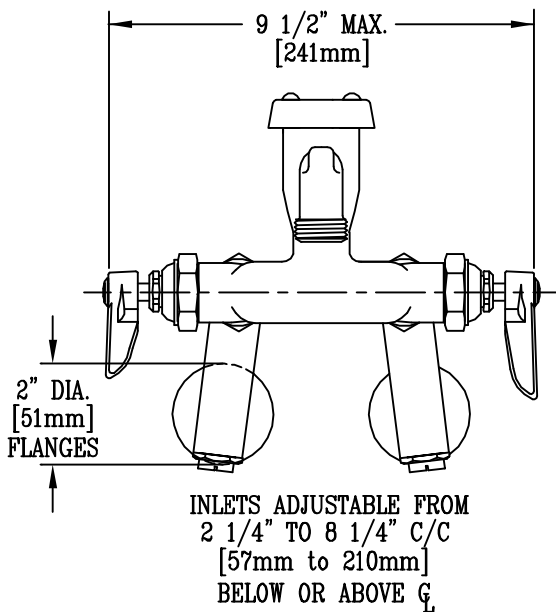
B-0669-01

Item No.:

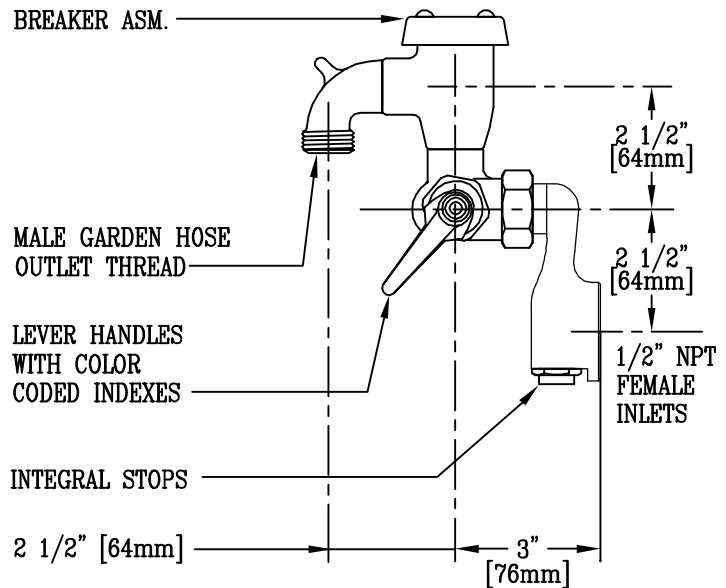
Job Name:

Architect/Engineer Approval:

Notes:



B-0969 1/2"  
 ATMOSPHERIC VACUUM  
 BREAKER ASM.



Product Description:

B-0669-POL w/ B-0673 PAIL HOOK SPOUT

Drawn:

LEL

Approved

MVW

Checked

JKD

Scale:

1 : 4

Date:

9/11/02