



**T&S BRASS AND BRONZE WORKS, INC.**  
 2 SADDLEBACK COVE / P.O. BOX 1088 / TRAVELERS REST, SC 29690  
 PHONE 800-476-4103 - FAX 864- 834-3518



Model No.

B-0669-02

**RELIABILITY  
 BUILT IN**

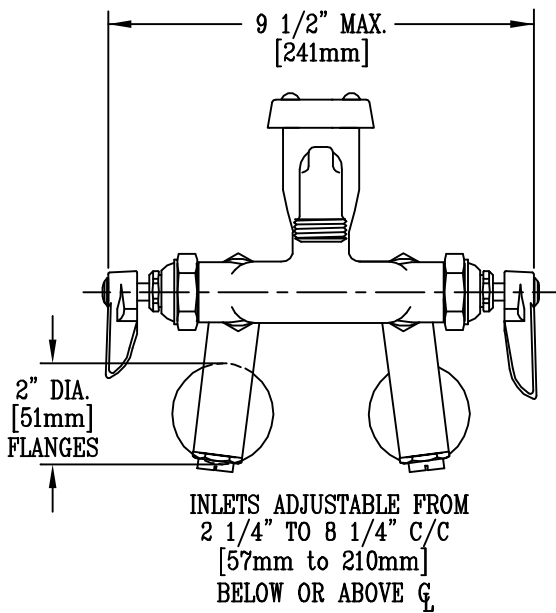
Job Name:

Architect/Engineer Approval:

Notes:



ADA COMPLIANT



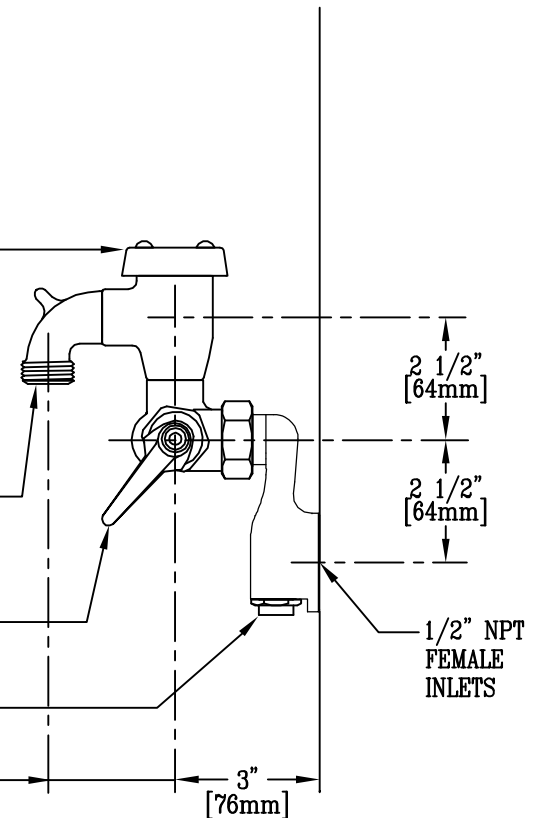
B-0969 1/2" ATMOSPHERIC VACUUM BREAKER ASM.

MALE GARDEN HOSE OUTLET THREAD

LEVER HANDLES WITH COLOR CODED INDEXES

SCREWDRIVER SERVICE STOPS

2 1/2" [64mm]



ADA Compliant

Product Description:  
 WALL MOUNTED SERVICE SINK FAUCET w/  
 VACUUM BREAKER, XX 1/2" NPT FEMALE INLET FLANGES,  
 AND B-0674 STYLE PAIL HOOK SPOUT

Drawn:

LEL

Approved

MVW

Checked

JKD

Scale:

1 : 4

Date:

9/11/02