



T&S BRASS AND BRONZE WORKS, INC.

2 SADDLEBACK COVE / P.O. BOX 1088 / TRAVELERS REST, SC 29690

PHONE 800-476-4103

FAX 864-834-3518



REG.#A2601  
ISO #9002

Model No.

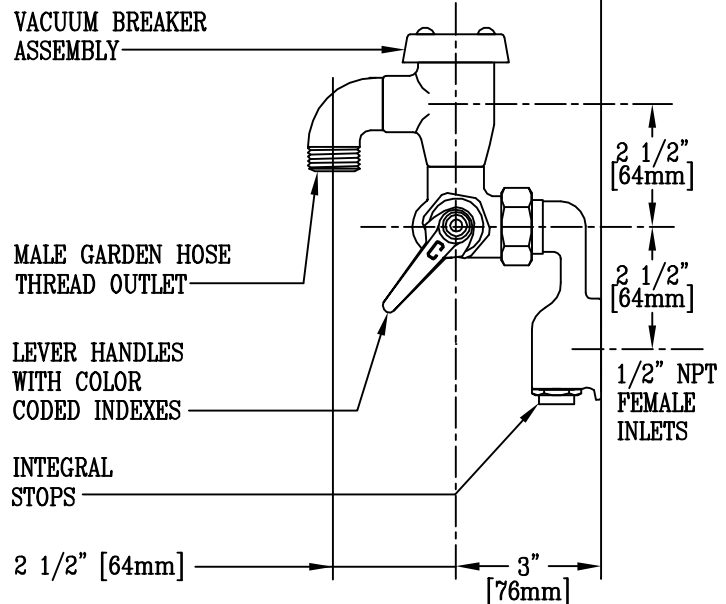
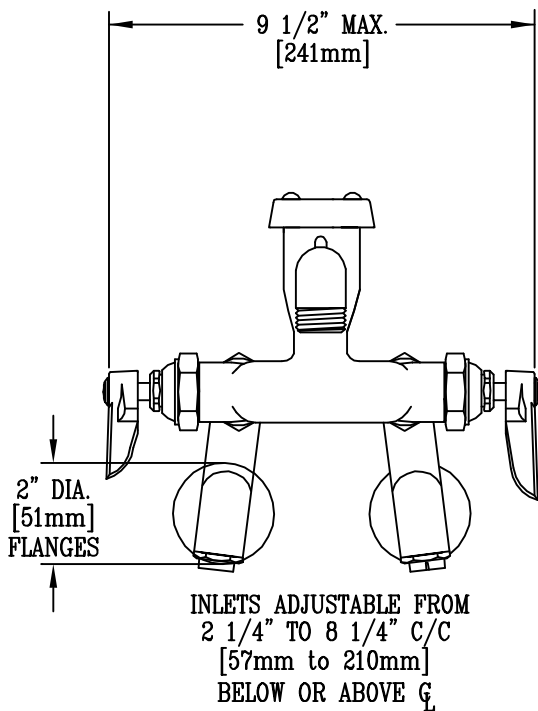
B-0669-RGH

Item No.:

Job Name:

Architect/Engineer Approval:

Notes:



NSF STANDARD 61, SECTION 9 CERTIFIED.

Product Description:  
SERVICE SINK FAUCET WITH ROUGH CHROME FINISH,  
INTEGRAL STOPS, VACUUM BREAKER, LEVER HANDLES,  
ADJUSTABLE INLETS, & 3/4" GARDEN HOSE OUTLET

Drawn:

WJS

Checked

MW

Scale:

3" = 1'

Approved

CA

Date:

11/22/95