



T&S BRASS AND BRONZE WORKS, INC.
 2 SADDLEBACK COVE / P.O. BOX 1088 / TRAVELERS REST, SC 29690
 PHONE 800-476-4103 FAX 803- 834-3518



Model No.

B-0670-01

Item No.:

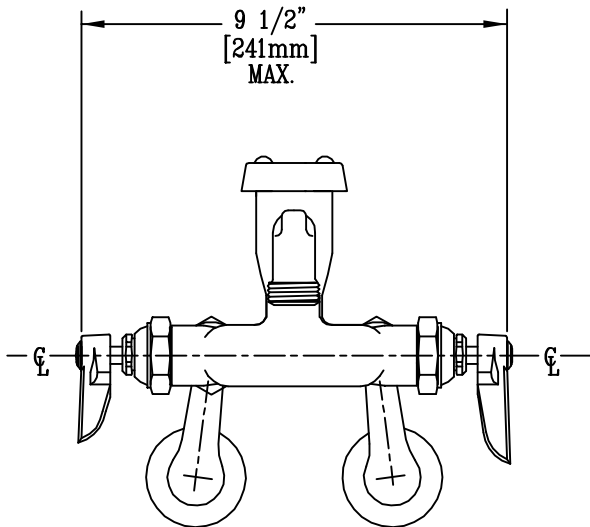
Job Name:

Architect/Engineer Approval:

Notes:



ADA COMPLIANT



INLETS ADJUSTABLE FROM
 2 1/4" TO 8 1/4" C/C
 BELOW OR ABOVE ϕ

B-0969 1/2"
 ATMOSPHERIC VACUUM
 BREAKER ASM.

3/4" HOSE
 THREADS

2 9/16"
 [65mm]

2 1/2"
 [64mm]

2 1/2"
 [64mm]

1/2" NPT
 FEMALE
 INLETS

3"
 [76mm]

Product Description:

B-0670-POL w/ B-0673 PAIL HOOK SPOUT

Drawn:

WJS

Checked

MVW

Scale:

1 : 4

Approved

MVW

Date:

8/10/00