



T&S BRASS AND BRONZE WORKS, INC.
 2 SADDLEBACK COVE / P.O. BOX 1088 / TRAVELERS REST, SC 29690
 PHONE 800-476-4103 FAX 864-834-3518



Model No.

B-0671-RGH

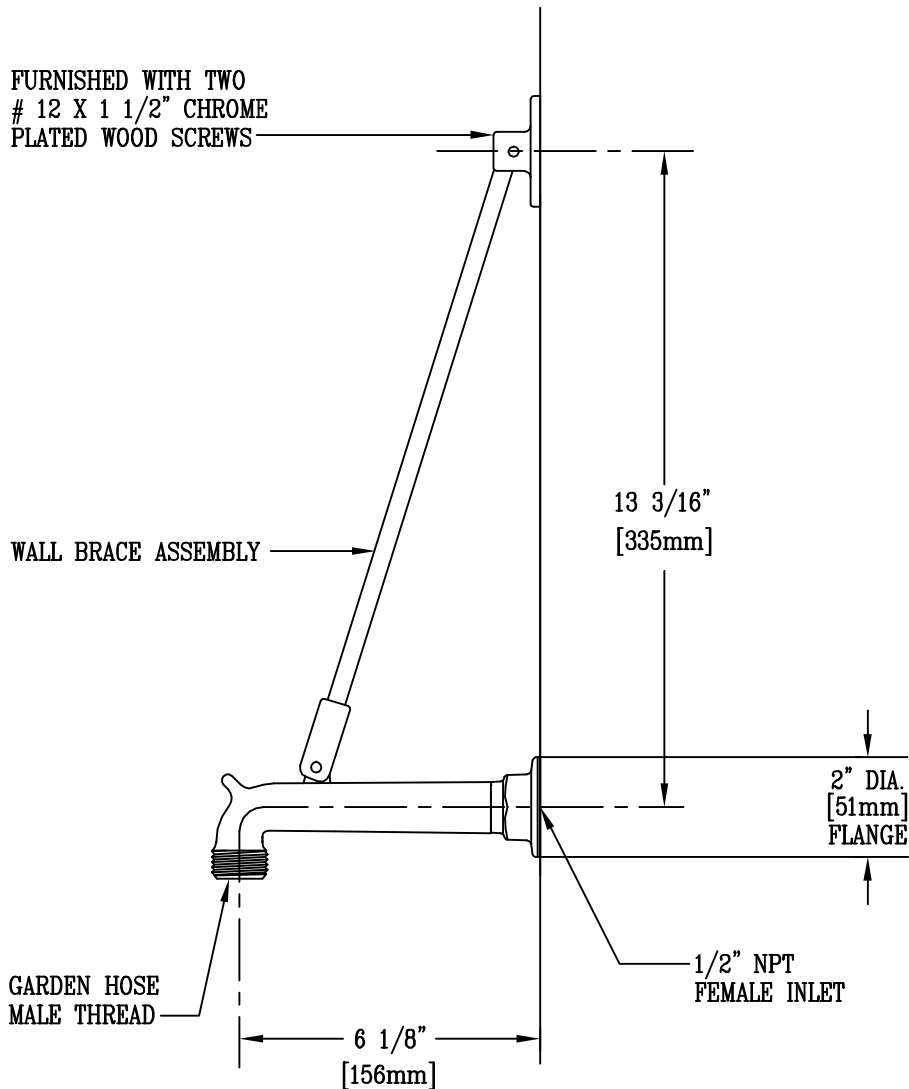
Item No.:

REG.#A2601
ISO #9002

Job Name:

Architect/Engineer Approval:

Notes:



Product Description:

SERVICE SINK OUTLET W/ ROUGH CHROME FINISH,
 WALL BRACE, PAIL HOOK, 1/2" IPS FEMALE
 INLET, & 3/4" GARDEN HOSE OUTLET

Drawn:

WJS

Checked

MW

Scale:

3" = 1'

Approved

CA

Date:

11/22/95