



T&S BRASS AND BRONZE WORKS, INC.

2 SADDLEBACK COVE / P.O. BOX 1088 / TRAVELERS REST, SC 29690

PHONE 800-476-4103

FAX 864-834-3518



REG.#A2601
ISO #9002

Model No.

B-0698

Item No.:

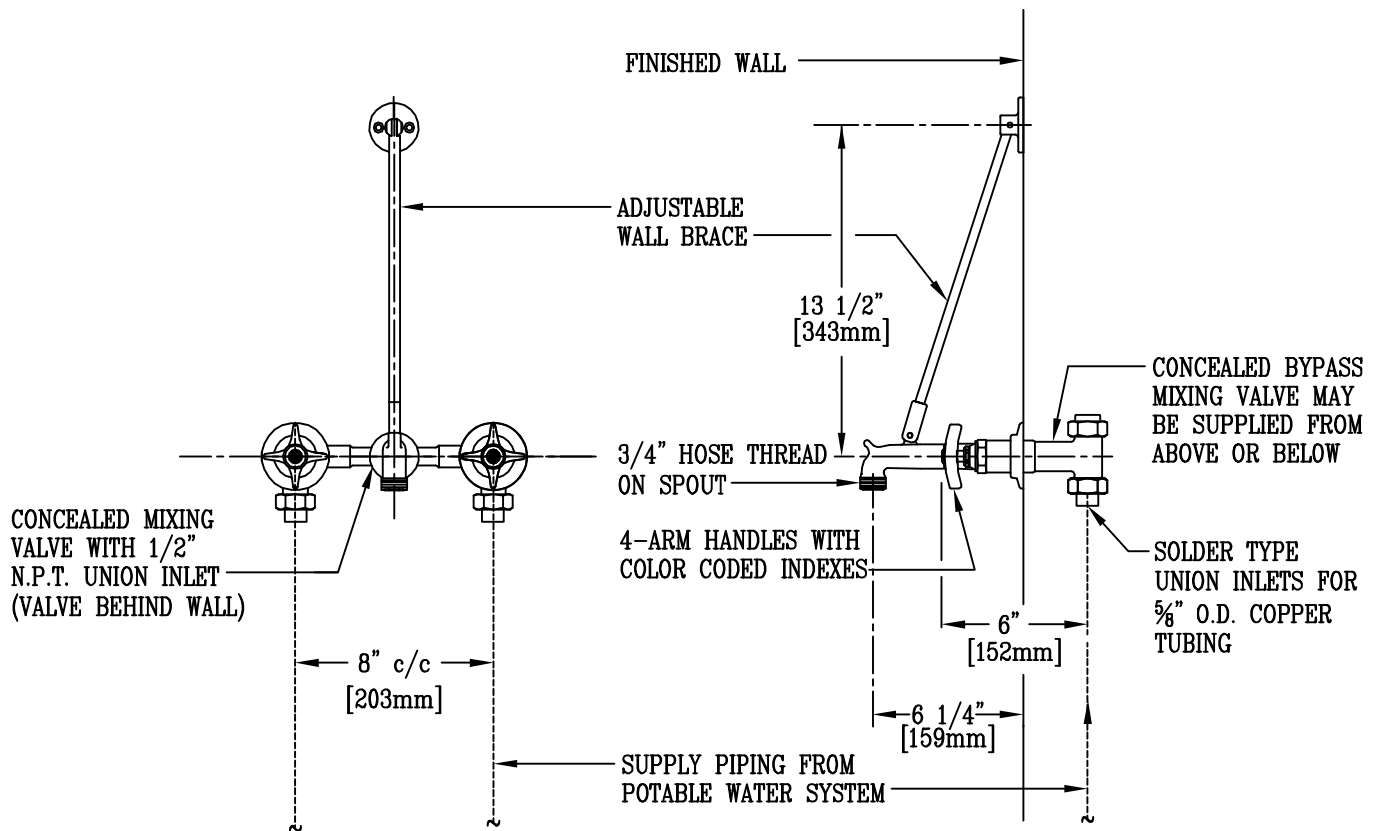
Job Name:

Architect/Engineer Approval:

Notes:



ADA COMPLIANT



Product Description:
SERVICE SINK MIXING FAUCET WITH CONCEALED BYPASS MIXING VALVE,
AND SOLDER TYPE UNION INLETS FOR 5/8 OD COPPER TUBING,
AND WITH MALE GARDEN HOSE THREAD OUTLET

Drawn:

WJS

Checked

ARY

Scale:

1 : 8

Approved

CA

Date:

8/8/95