



T&S BRASS AND BRONZE WORKS, INC.

2 Saddleback Cove / P.O. Box 1088
Travelers Rest, SC 29690



REG. #A2601
ISO #9001

Model No.
B-0708

Item No.

Travelers Rest, SC: 800-476-4103 Simi Valley, CA: 800-423-0150 Fax: 864-834-3518 www.tsbrass.com

This Space for Architect/Engineer Approval

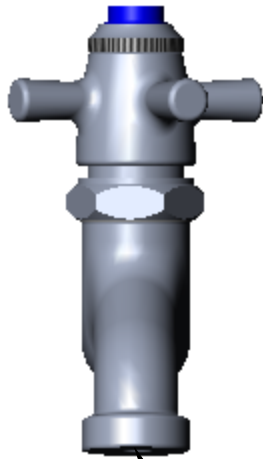
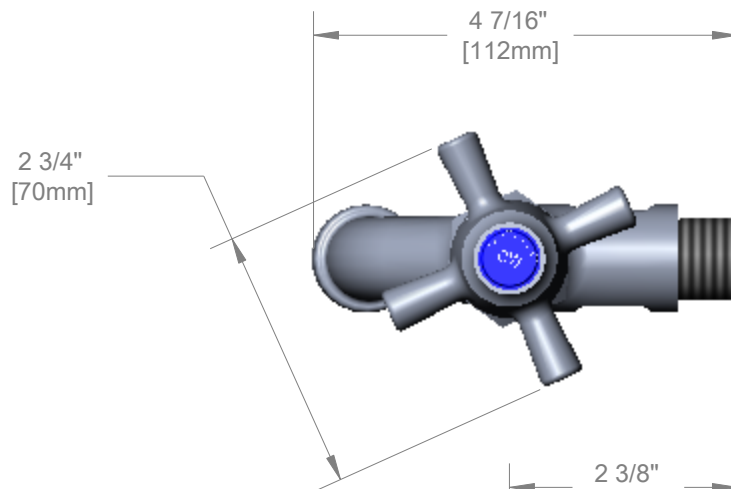
Job Name _____ Date _____

Model Specified _____ Quantity _____

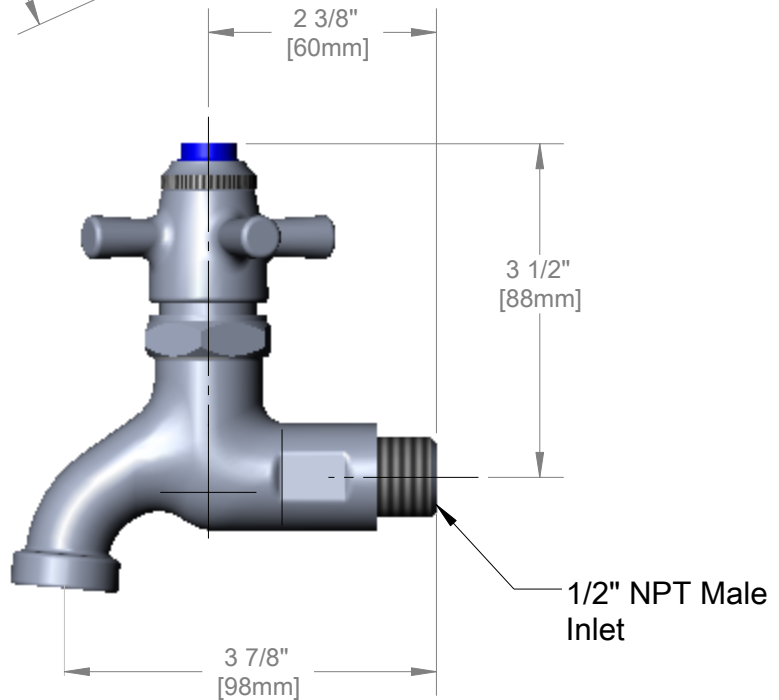
Customer/Wholesaler _____

Contractor _____

Architect/Engineer _____



Plain Outlet
(un-threaded)



Product Specifications:
Self-Closing Hose Bibb Faucet w/ 4-Arm
Handle, 1/2" NPT Male Inlet, Plain Outlet
and Blue "CW" Index

Drawn
WJS

Checked
JRM

Approved
JHB

Scale:

1:2

Date:

12/04/06



T&S BRASS AND BRONZE WORKS, INC.

2 Saddleback Cove / P.O. Box 1088
Travelers Rest, SC 29690



REG. #A2601
ISO #9001

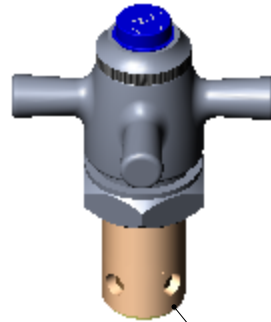
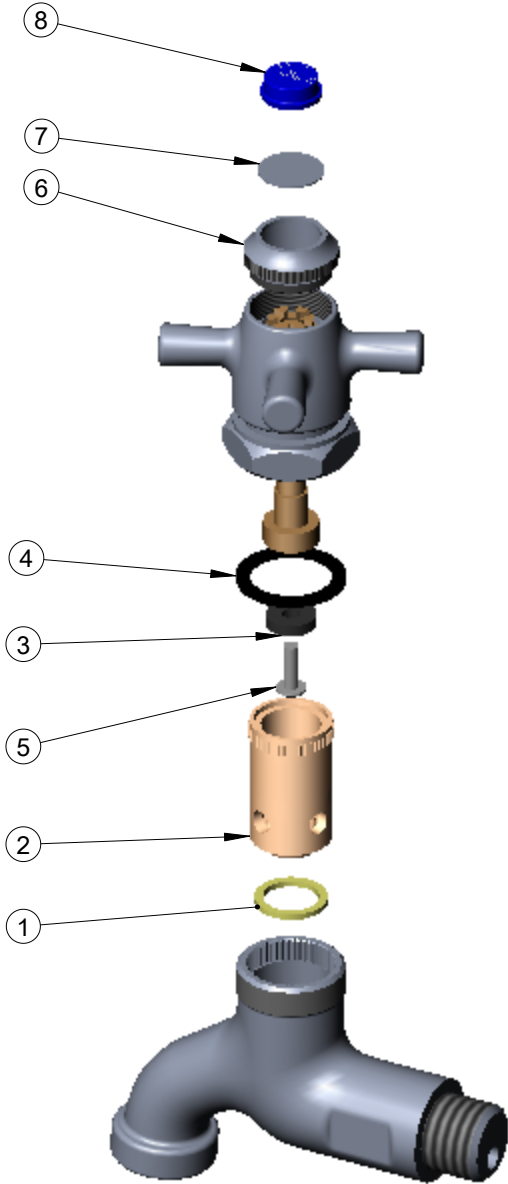
Model No.

B-0708

Item No.

Travelers Rest, SC: 800-476-4103 Simi Valley, CA: 800-423-0150 Fax: 864-834-3518 www.tsbrass.com

ITEM	PART NO.	DESCRIPTION
1	009646-45	Washer
2	000789-20	Eterna Barrel
3	001092-45	Seat Washer
4	009643-45	Washer
5	000933-45	Seat Washer Screw
6	000674-40	Slow Close Index Ring
7	001013-45	Slow Close Handle Disc
8	001686-45	Blue CW Index



Specify 007900-40 for Full Cartridge Asm.

Product Specifications:

Self-Closing Hose Bibb Faucet w/ 4-Arm Handle, 1/2" NPT Male Inlet, Plain Outlet and Blue "CW" Index

Drawn WJS	Checked JRM	Approved JHB
Scale: 1:2		Date: 12/04/06