



T&S BRASS AND BRONZE WORKS, INC.

2 Saddleback Cove / P.O. Box 1088
Travelers Rest, SC 29690



REG. #A2601
ISO #9001

Model No.
B-0711

Item No.

Travelers Rest, SC: 800-476-4103 Simi Valley, CA: 800-423-0150 Fax: 864-834-3518 www.tsbrass.com

This Space for Architect/Engineer Approval

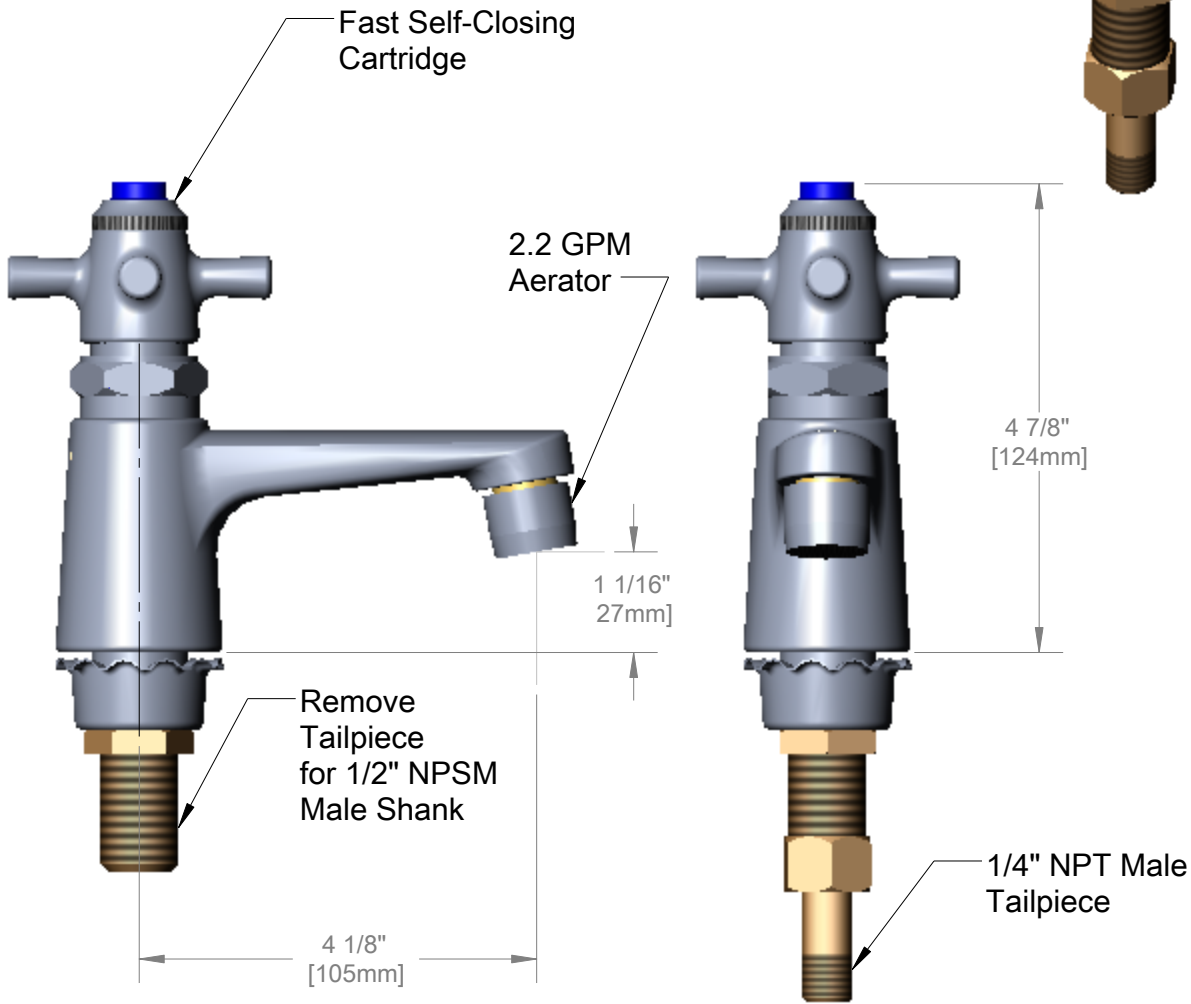
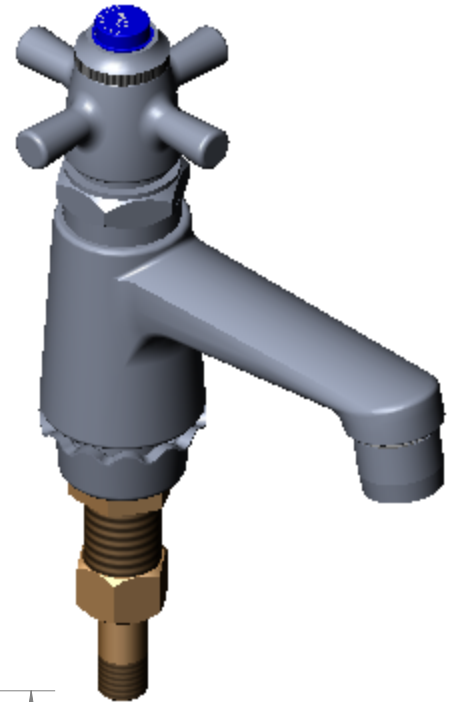
Job Name _____ Date _____

Model Specified _____ Quantity _____

Customer/Wholesaler _____

Contractor _____

Architect/Engineer _____



Product Specifications:
Single Temperature Basin Faucet w/ 1/2" NPSM Male Shank, Fast Self-Closing Handle, and 2.2 GPM Aerator

Drawn WJS	Checked JRM	Approved JHB
Scale: 1:2	Date: 12/04/06	



T&S BRASS AND BRONZE WORKS, INC.

2 Saddleback Cove / P.O. Box 1088
Travelers Rest, SC 29690

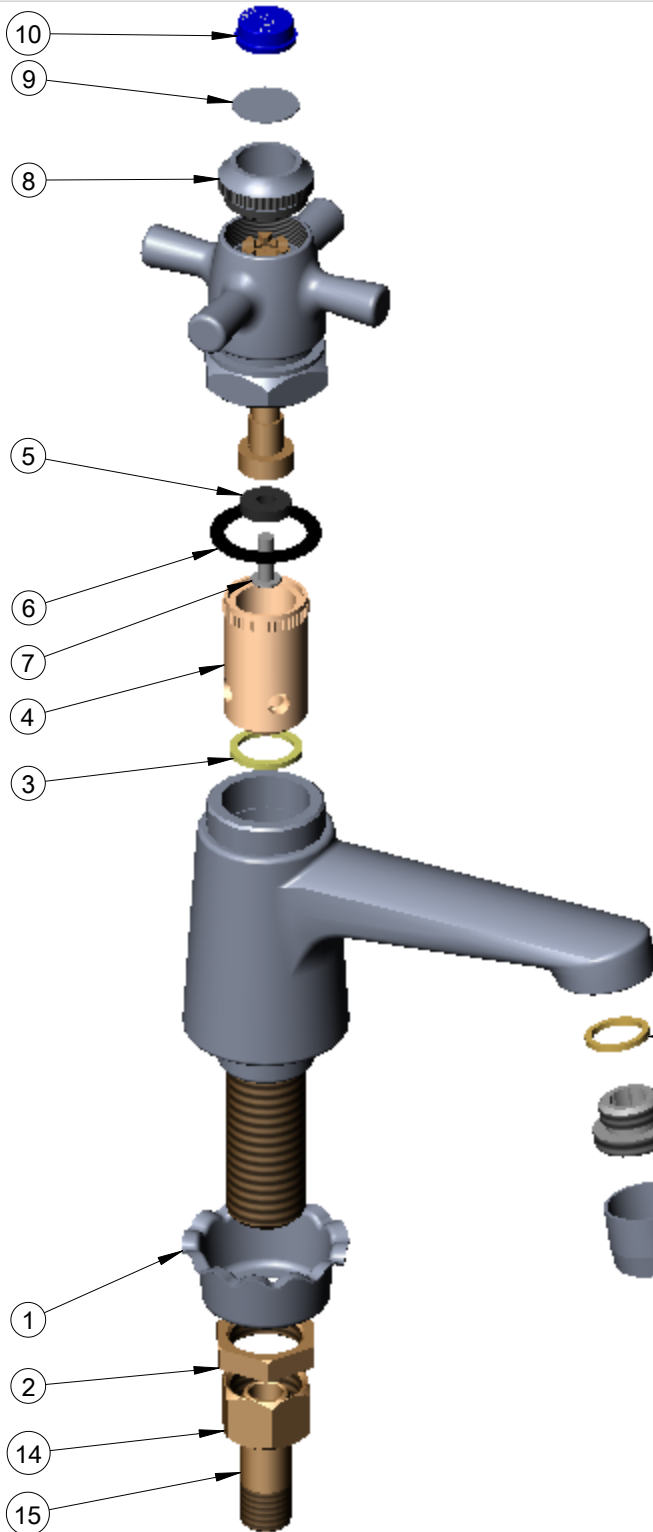


REG. #A2601
ISO #9001

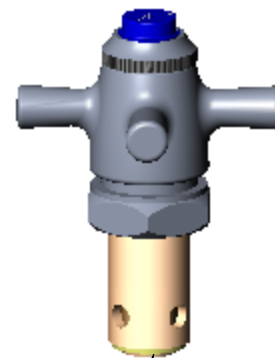
Model No.
B-0711

Item No.

Travelers Rest, SC: 800-476-4103 Simi Valley, CA: 800-423-0150 Fax: 864-834-3518 www.tsbrass.com



ITEM	PART NO.	DESCRIPTION
1	001000-45	Rosette Washer
2	002954-45	Shank Lock Nut
3	009646-45	Washer
4	000789-20	Eterna Barrel
5	001092-45	Seat Washer
6	009643-45	Washer
7	000933-45	Seat Washer Screw
8	000674-40	Slow Close Index Ring
9	001013-45	Slow Close Handle Disc
10	001686-45	Blue CW Index
11	044A	3/8" to Aer. Adapter
12	009636-45	Washer
13	B-0199-01	2.2 GPM Aerator
14	000958-20	Coupling Nut
15	001592-20	1/4" NPT Tailpiece



Specify 007900-40
For Full Cartridge
Assembly

Product Specifications:

Single Temperature Basin Faucet w/ 1/2" NPSM
Male Shank, Fast Self-Closing Handle,
and 2.2 GPM Aerator

Drawn WJS	Checked JRM	Approved JHB
Scale: 1:2	Date: 12/04/06	