



T&S BRASS AND BRONZE WORKS, INC.

2 Saddleback Cove / P.O. Box 1088
Travelers Rest, SC 29690



REG. #A2601
ISO #9001

Model No.
B-0713

Item No.

Travelers Rest, SC: 800-476-4103 Simi Valley, CA: 800-423-0150 Fax: 864-834-3518 www.tsbrass.com

This Space for Architect/Engineer Approval

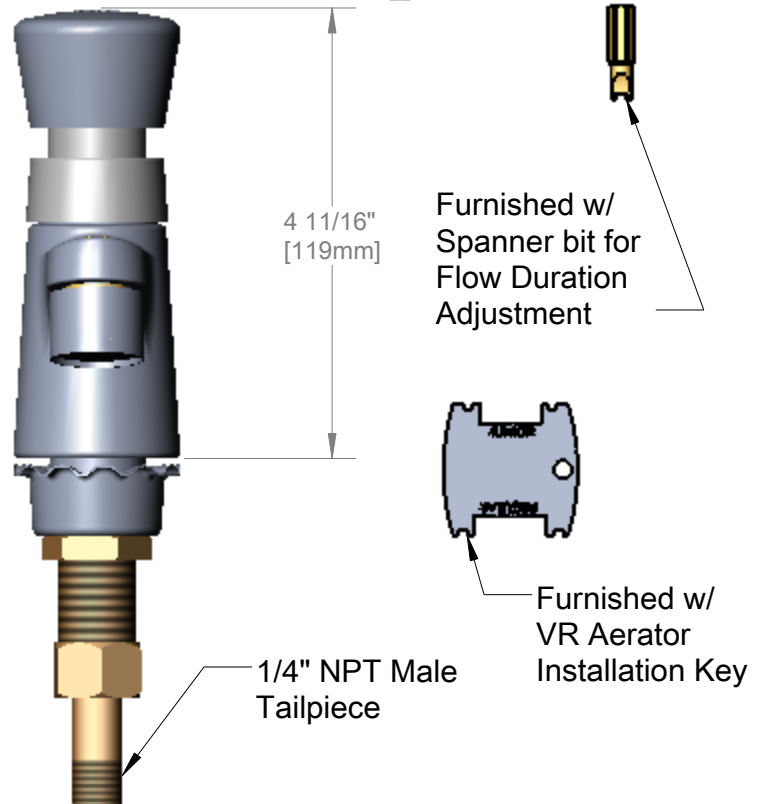
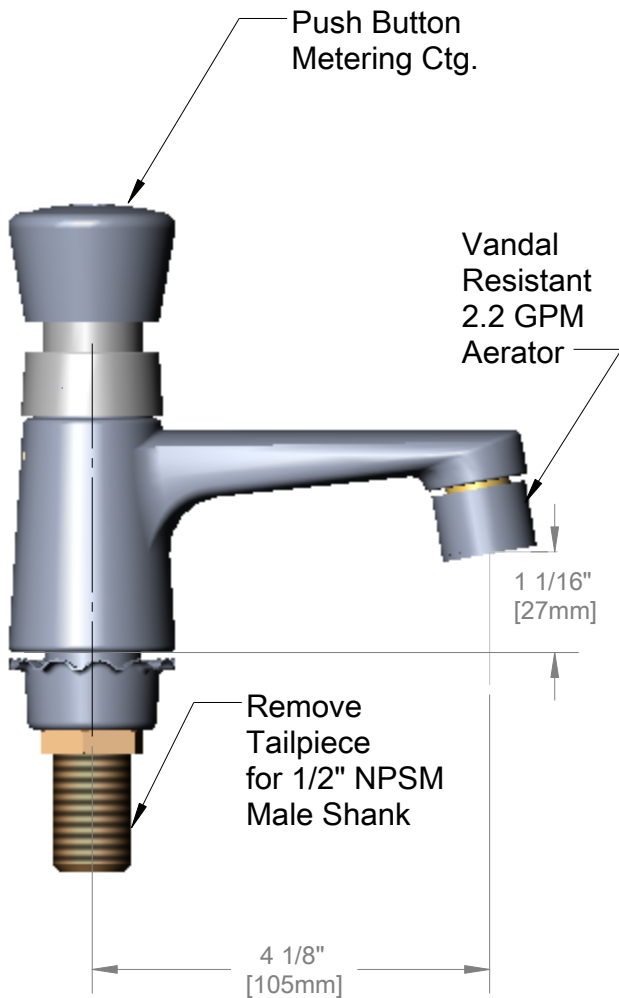
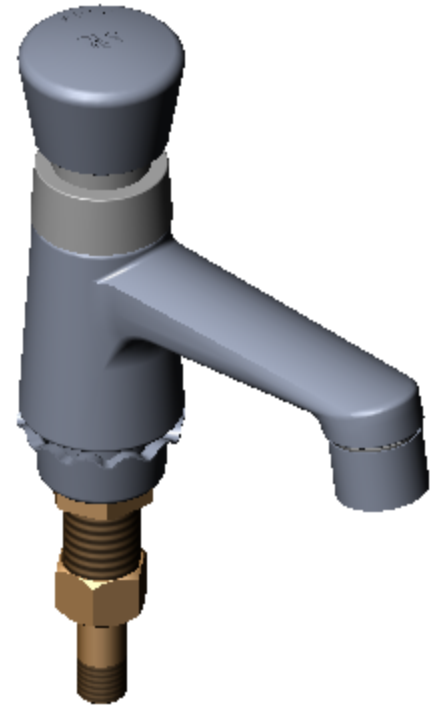
Job Name _____ Date _____

Model Specified _____ Quantity _____

Customer/Wholesaler _____

Contractor _____

Architect/Engineer _____



Product Specifications:

Single Temperature Basin Faucet w/ 1/2" NPSM Male Shank, Push Button Metering Cartridge, and Vandal Resistant 2.2 GPM Aerator

Drawn WJS	Checked JRM	Approved JHB
Scale:	1:2	Date: 12/04/06



T&S BRASS AND BRONZE WORKS, INC.

2 Saddleback Cove / P.O. Box 1088
Travelers Rest, SC 29690

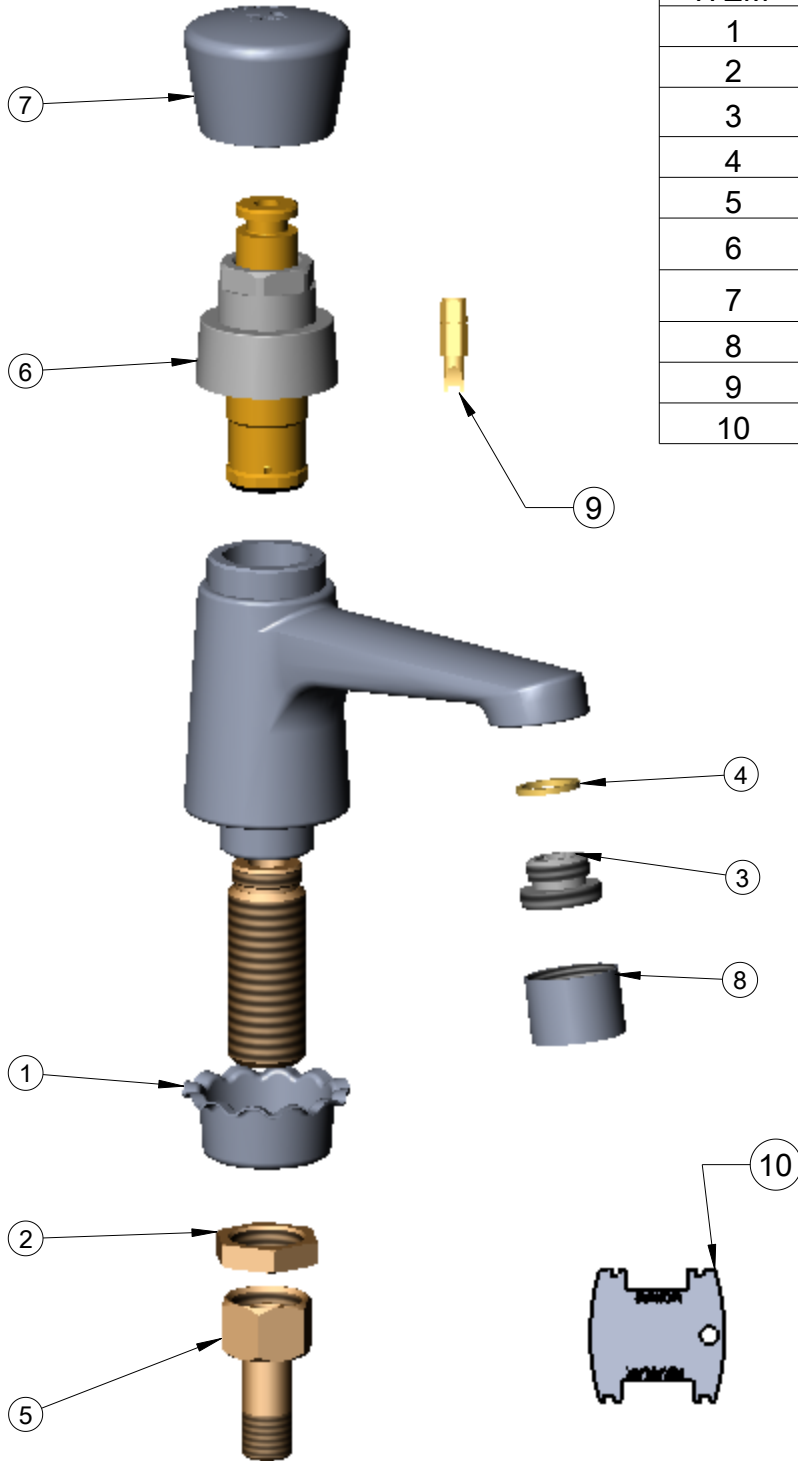


REG. #A2601
ISO #9001

Model No.
B-0713

Item No.

Travelers Rest, SC: 800-476-4103 Simi Valley, CA: 800-423-0150 Fax: 864-834-3518 www.tsbrass.com



ITEM	PART NO.	DESCRIPTION
1	001000-45	Rosette Washer
2	002954-45	Shank Lock Nut
3	044A	3/8" to Aer. Adapter
4	009636-45	Washer
5	150A	Nut & Tailpiece
6	238A	Push Button Metering Ctg.
7	014193-40	Push Button Cap Asm.
8	B-0199-06	VR Aerator
9	014734-45	Spanner Bit
10	015425-45	Dual VR Key

Product Specifications:

Single Temperature Basin Faucet w/ 1/2" NPSM Male Shank, Push Button Metering Cartridge, and Vandal Resistant 2.2 GPM Aerator

Drawn WJS	Checked JRM	Approved JHB
Scale: 1:2		Date: 12/04/06