



T&S BRASS AND BRONZE WORKS, INC.
 2 SADDLEBACK COVE / P.O. BOX 1088 / TRAVELERS REST, SC 29690
 PHONE 800-476-4103 - FAX 864- 834-3518



REG.#A2601
 ISO #9001

Model No.

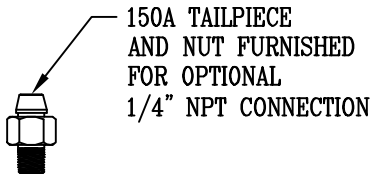
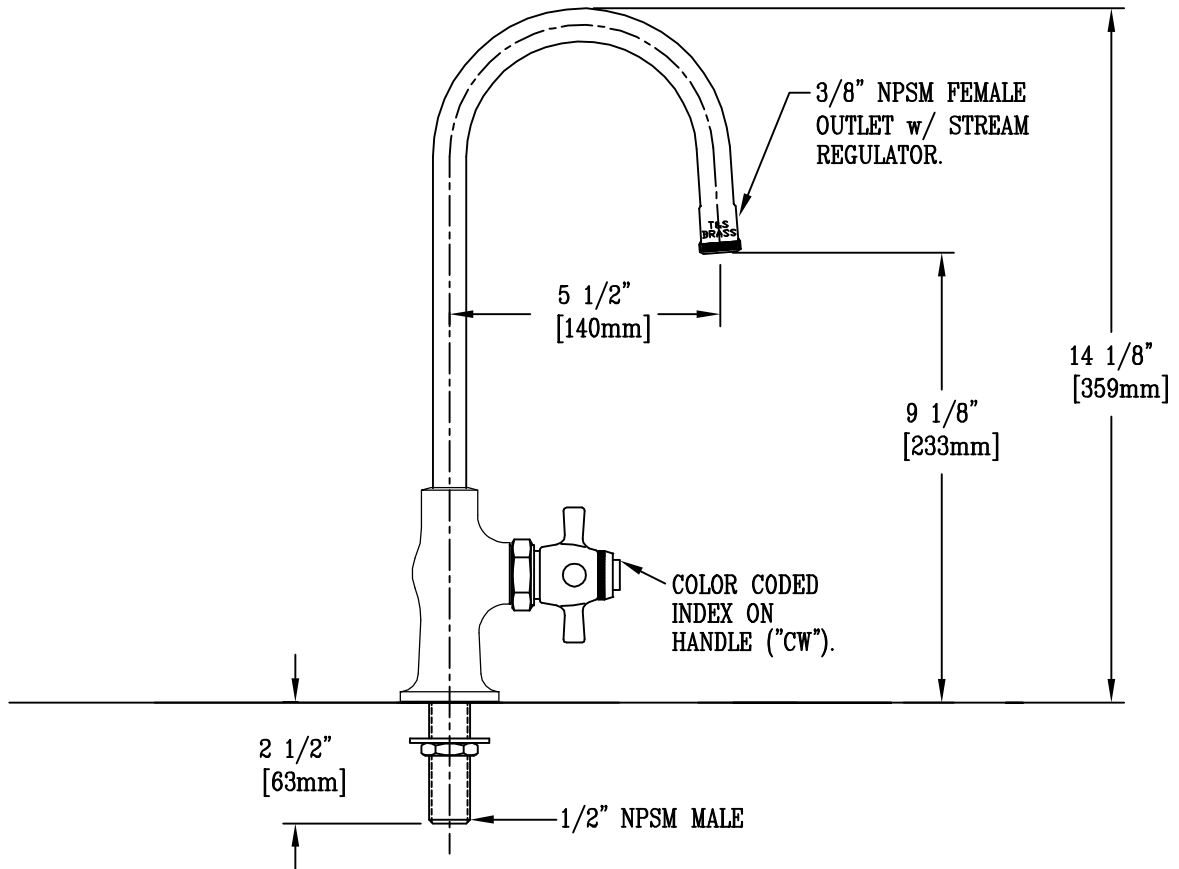
B-0750

RELIABILITY
 BUILT IN

Job Name:

Architect/Engineer Approval:

Notes:



NSF STANDARD 61, SECTION 9 CERTIFIED

Product Description:

DECK MOUNT SINGLE SUPPLY RIGID BASE FCT.
 WITH RIGID GOOSENECK & STREAM REGULATOR

Drawn:

LEL

Approved

MVW

Checked

JKD

Scale:

1 : 4

Date:

9/11/02