



# T&S BRASS AND BRONZE WORKS, INC.

2 Saddleback Cove / P.O. Box 1088  
Travelers Rest, SC 29690



REG. #A2601  
ISO #9001

Model No.  
**B-0805-DP**

Item No.

Travelers Rest, SC: 800-476-4103 Simi Valley, CA: 800-423-0150 Fax: 864-834-3518 www.tsbrass.com

This Space for Architect/Engineer Approval

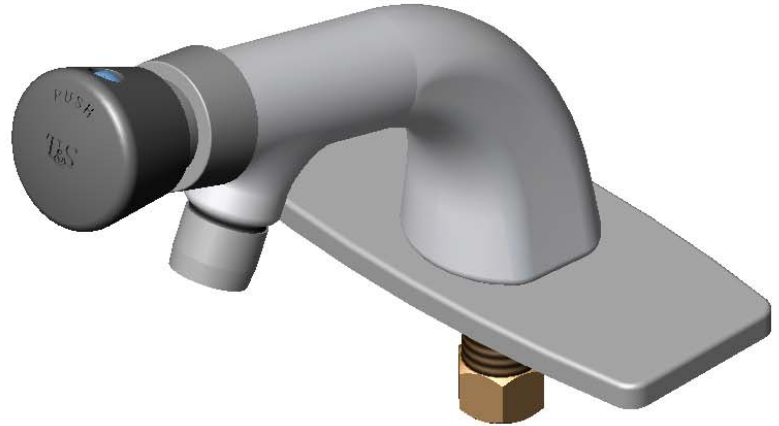
Job Name \_\_\_\_\_ Date \_\_\_\_\_

Model Specified \_\_\_\_\_ Quantity \_\_\_\_\_

Customer/Wholesaler \_\_\_\_\_

Contractor \_\_\_\_\_

Architect/Engineer \_\_\_\_\_

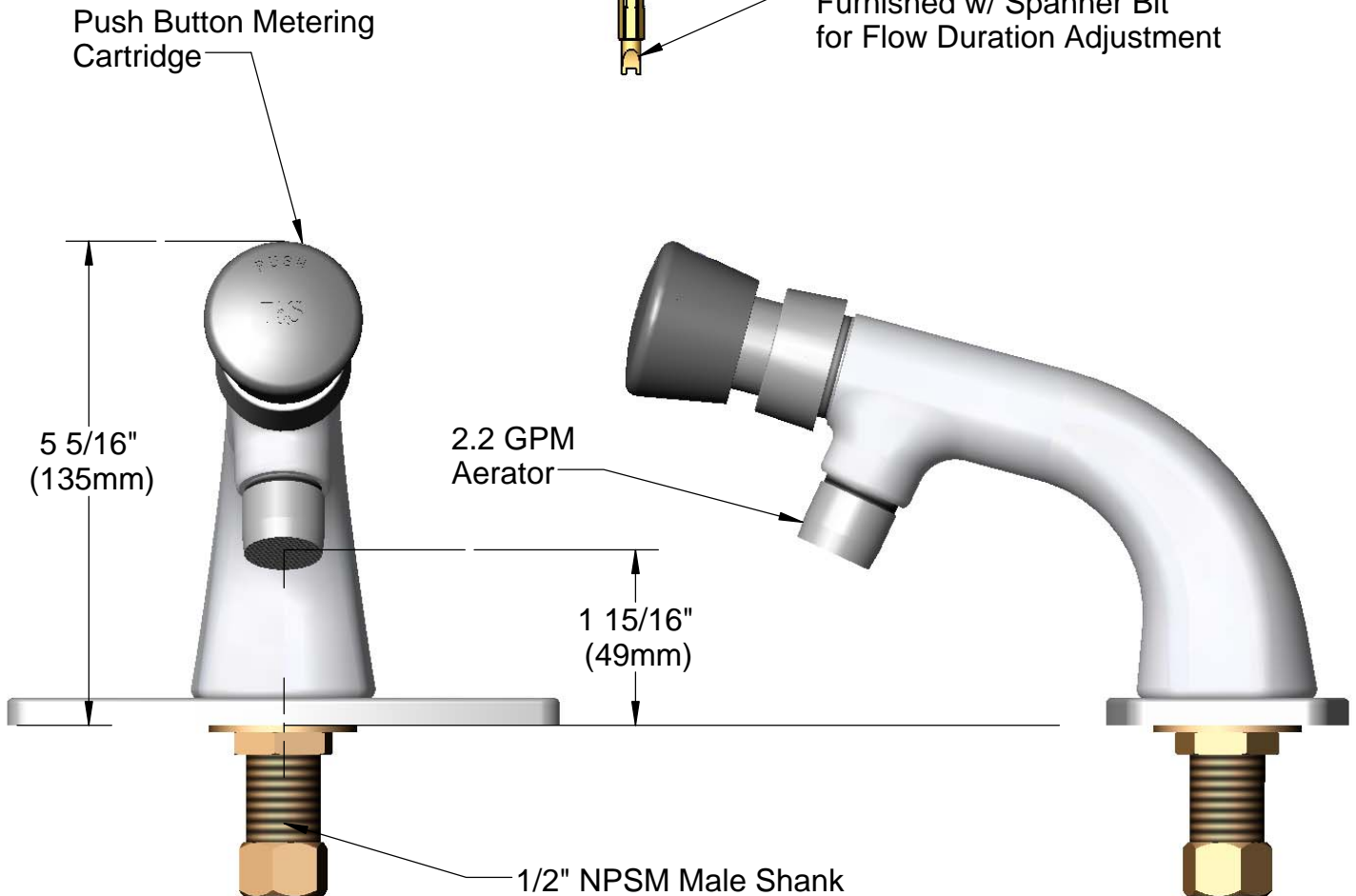


Variations or Applicable Options:

- WH6 6" Wrist Action Handles
- 177F Lever Handles
- 175F 4-Arm Kitchen Handles



Furnished w/ Spanner Bit  
for Flow Duration Adjustment



Product Specifications:  
Single Temperature Deck Mount Faucet, 1/2" NPSM Male Shank, Push Button Metering Cartridge, 2.2 GPM Aerator, Chrome Plated Deck Plate

Drawn WJS	Checked JRM	Approved JHB
Scale: 1:2		Date: 3/13/2006



**T&S BRASS AND BRONZE WORKS, INC.**

2 Saddleback Cove / P.O. Box 1088  
Travelers Rest, SC 29690



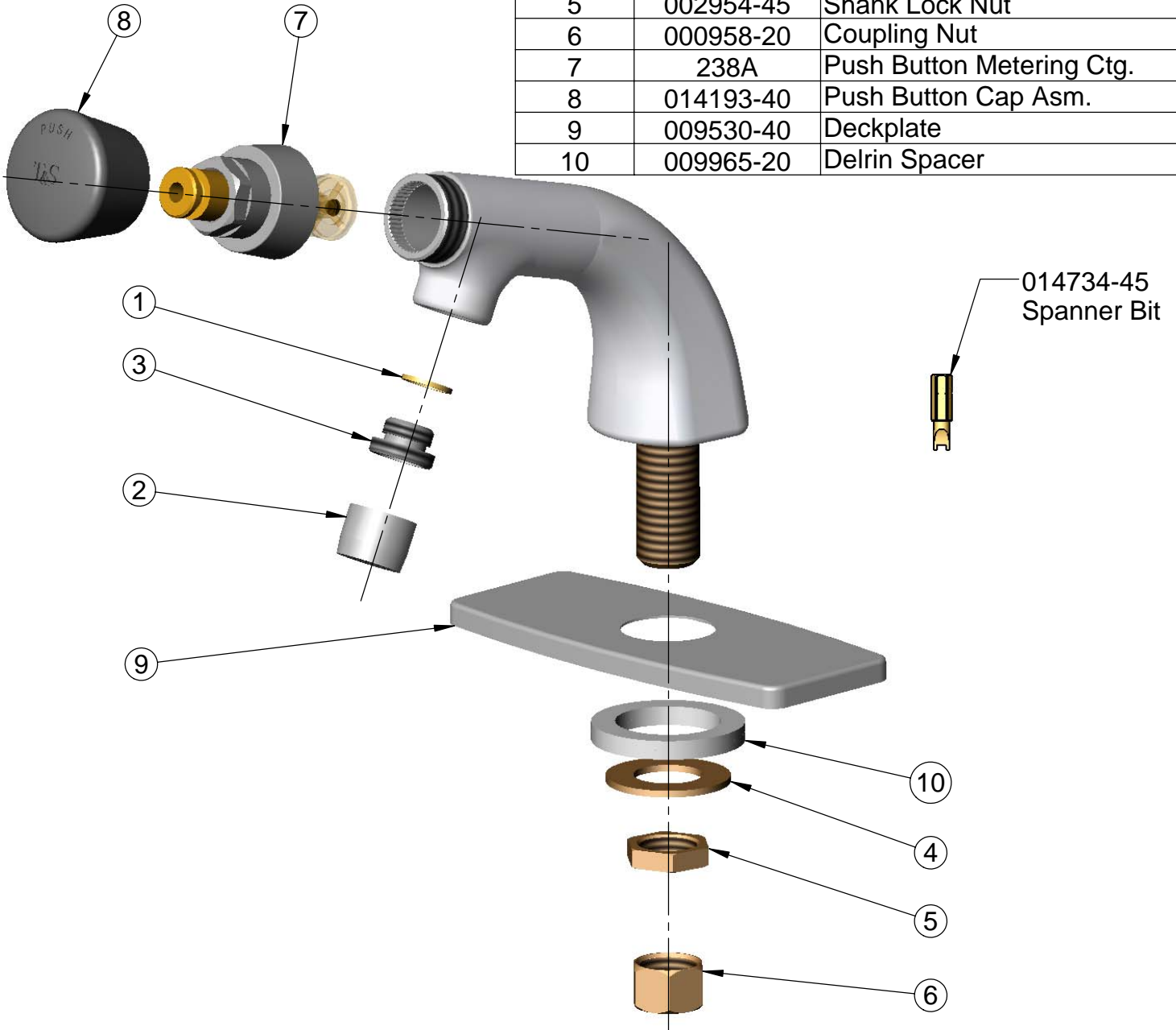
REG. #A2601  
ISO #9001

Model No.  
**B-0805-DP**

Item No.

Travelers Rest, SC: 800-476-4103 Simi Valley, CA: 800-423-0150 Fax: 864-834-3518 www.tsbrass.com

ITEM NO.	SALES NO.	DESCRIPTION
1	009636-45	Washer
2	B-0199-01	2.2 GPM Aerator
3	044A	3/8" to Aer. Adapter
4	007361-45	Brass Lock Washer
5	002954-45	Shank Lock Nut
6	000958-20	Coupling Nut
7	238A	Push Button Metering Ctg.
8	014193-40	Push Button Cap Asm.
9	009530-40	Deckplate
10	009965-20	Delrin Spacer



Product Specifications:

Single Temperature Deck Mount Faucet, 1/2" NPSM  
Male Shank, Push Button Metering Cartridge,  
2.2 GPM Aerator, Chrome Plated Deck Plate

Drawn WJS	Checked JRM	Approved JHB
Scale: 1:2		Date: 3/13/2006