



T&S BRASS AND BRONZE WORKS, INC.

2 SADDLEBACK COVE / P.O. BOX 1088 / TRAVELERS REST, SC 29690

PHONE 800-476-4103

FAX 864- 834-3518



REG.#A2601
ISO #9002

Model No.

B-0805-VR

Item No.:

Job Name:

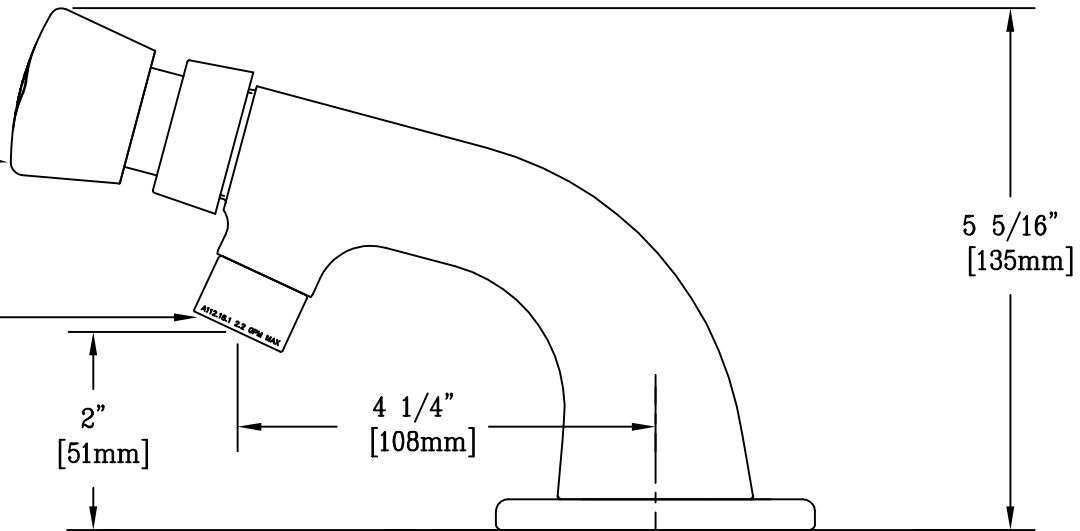
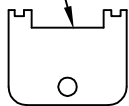
Architect/Engineer Approval:

Notes:

ADJUSTABLE FLOW,
VANDAL RESISTANT
PUSH BUTTON
METERING
CARTRIDGE

B-0199-07
VANDAL
RESISTANT
AERATOR

FURNISHED w/
INSTALLATION
TOOL



1 15/16"
[49mm]

1/2" NPSM MALE SHANK
WITH COUPLING NUT

POLISH CHROME PLATED
SOLID BRASS COVER PLATE

5/16"
[8mm]

1" DIAMETER
LOCKING STUDS

4"
[102mm]

FURNISHED w/
SPANNER BIT



Product Description:

B-0805 SELF-CLOSING FAUCET WITH
VANDAL RESISTANT DECK PLATE ASM.
AND VANDAL RESISTANT AERATOR

Drawn:

DHL

Approved

JHB

Checked

WJS

Scale:

1 : 2

Date:

12/7/05