



T&S BRASS AND BRONZE WORKS, INC.
 2 SADDLEBACK COVE / P.O. BOX 1088 / TRAVELERS REST, SC 29690
 PHONE 800-476-4103 FAX 864- 834-3518



Model No.

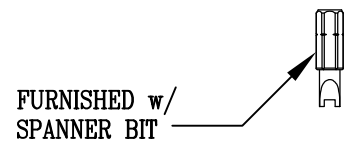
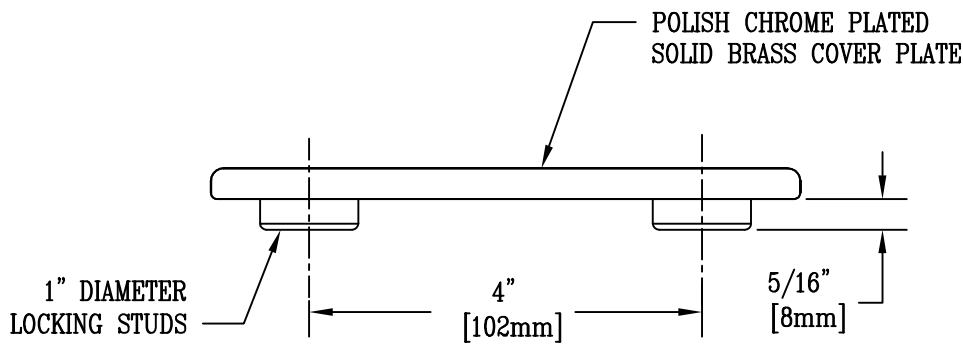
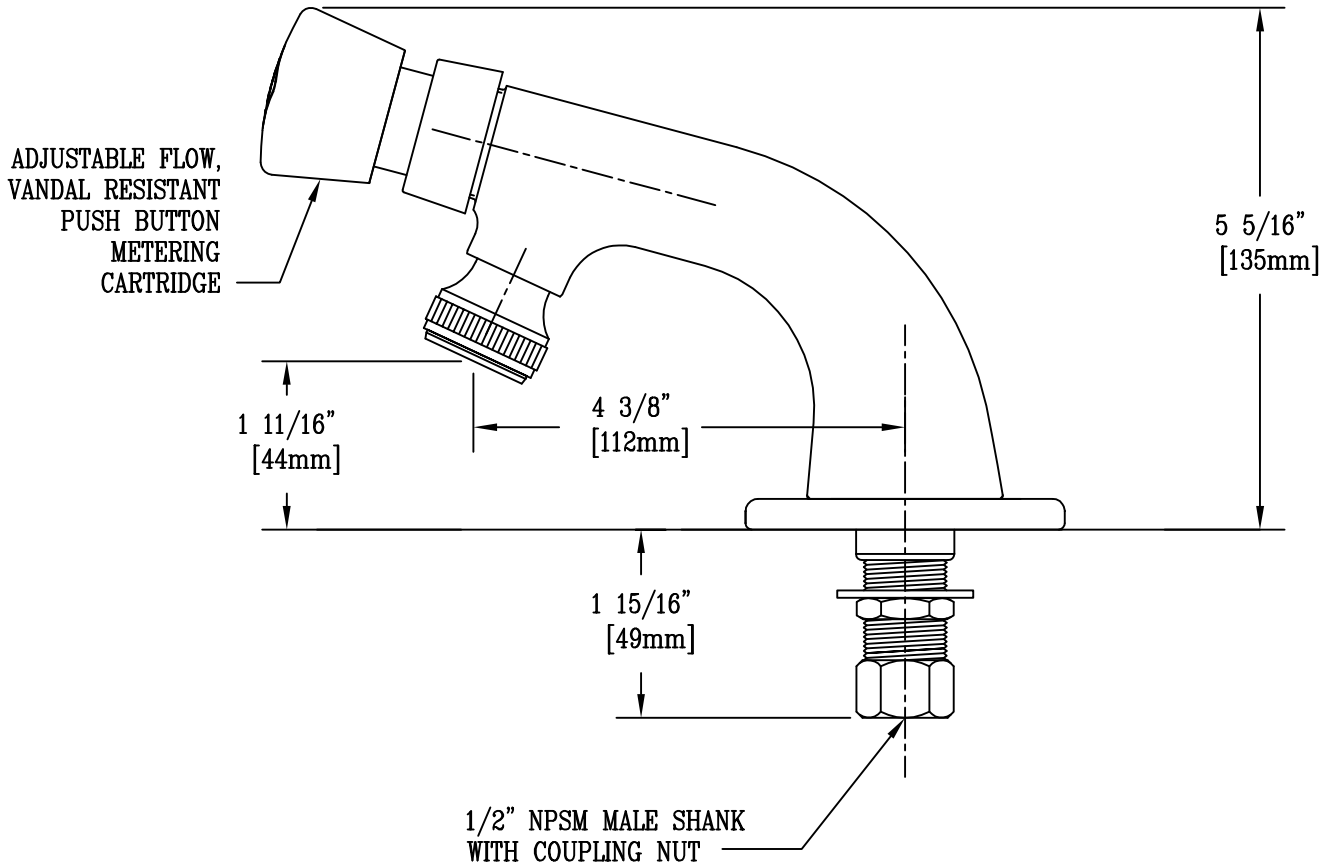
B-0806-VR

Item No.:

Job Name:

Architect/Engineer Approval:

Notes:



Product Description: B-0806 SELF-CLOSING FAUCET WITH VANDAL RESISTANT DECK PLATE ASM.	Drawn:	Checked:	Scale:
	DHL	WJS	1 : 2
	Approved:	Date:	
JHB	12/7/05		