



T&S BRASS AND BRONZE WORKS, INC.

2 Saddleback Cove / P.O. Box 1088
Travelers Rest, SC 29690



REG. #A2601
ISO #9001

Model No.
B-0834

Item No.

Travelers Rest, SC: 800-476-4103 Simi Valley, CA: 800-423-0150 Fax: 864-834-3518 www.tsbrass.com

This Space for Architect/Engineer Approval

Job Name _____ Date _____

Model Specified _____ Quantity _____

Customer/Wholesaler _____

Contractor _____

Architect/Engineer _____

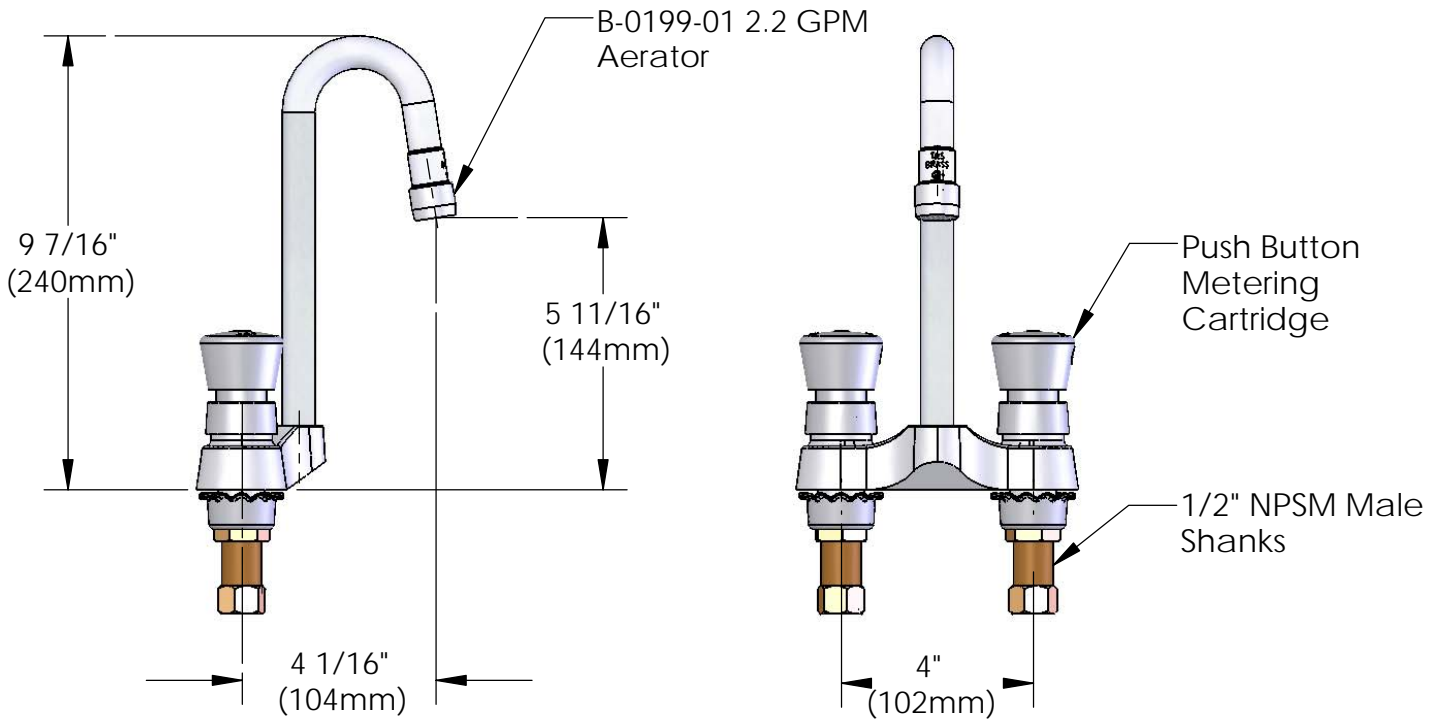
Variations or Applicable Options:
-B-0199-21 2.2 GPM Laminar Flow Outlet



ADA COMPLIANT



Furnished w/ Spanner Bit for Flow Duration Adjustment



Product Specifications:
4" Centerset Mixing Faucet, 1/2" NPSM Male Shanks,
Push Button Metering Cartridges, Rigid Gooseneck,
2.2 GPM Aerator

Drawn WJS	Checked JRM	Approved JHB
Scale: 1:4		Date: 3/13/2006



T&S BRASS AND BRONZE WORKS, INC.

2 Saddleback Cove / P.O. Box 1088
Travelers Rest, SC 29690



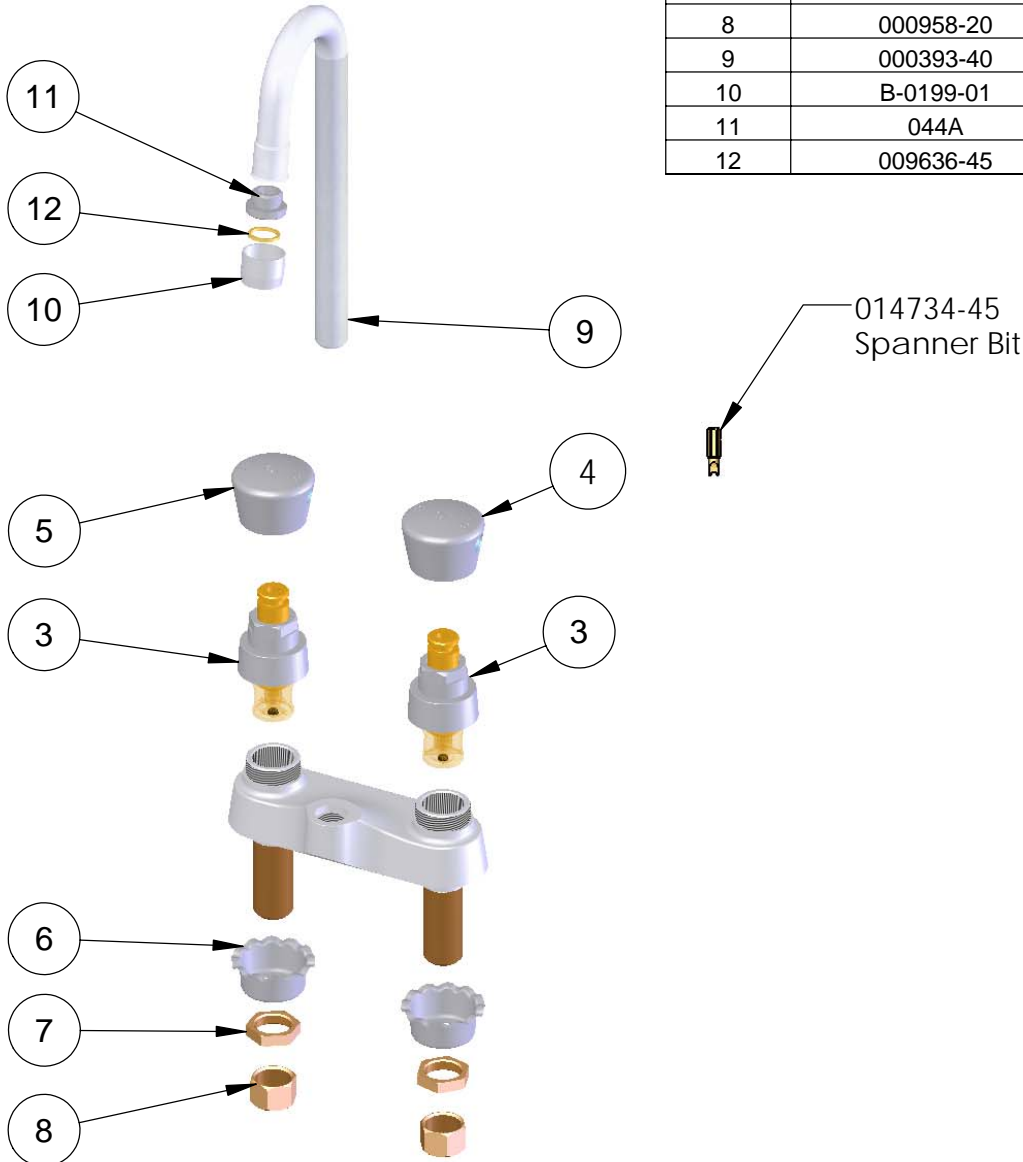
REG. #A2601
ISO #9001

Model No.
B-0834

Item No.

Travelers Rest, SC: 800-476-4103 Simi Valley, CA: 800-423-0150 Fax: 864-834-3518 www.tsbrass.com

Item No.	Sales No.	Description
1	010963-40	4" Centerset Body
3	238A	Push Button Metering Ctg.
4	014195-40	Cold Cap Assembly
5	014194-40	Hot Cap Assembly
6	001000-45	Rosette Washer
7	002954-45	Shank Lock Nut
8	000958-20	Coupling Nut
9	000393-40	Rigid Gooseneck
10	B-0199-01	2.2 GPM Aerator
11	044A	3/8" to Aer. Adapter
12	009636-45	Washer



Product Specifications:

4" Centerset Mixing Faucet, 1/2" NPSM Male Shanks,
Push Button Metering Cartridges, Rigid Gooseneck,
2.2 GPM Aerator

Drawn WJS	Checked JRM	Approved JHB
Scale: 1:4		Date: 3/13/2006