



T&S BRASS AND BRONZE WORKS, INC.

2 SADDLEBACK COVE / P.O. BOX 1088 / TRAVELERS REST, SC 29690

PHONE 800-476-4103

FAX 864-834-3518



REG. #A2601
ISO #9002

Model No.

B-0840
Item No.:

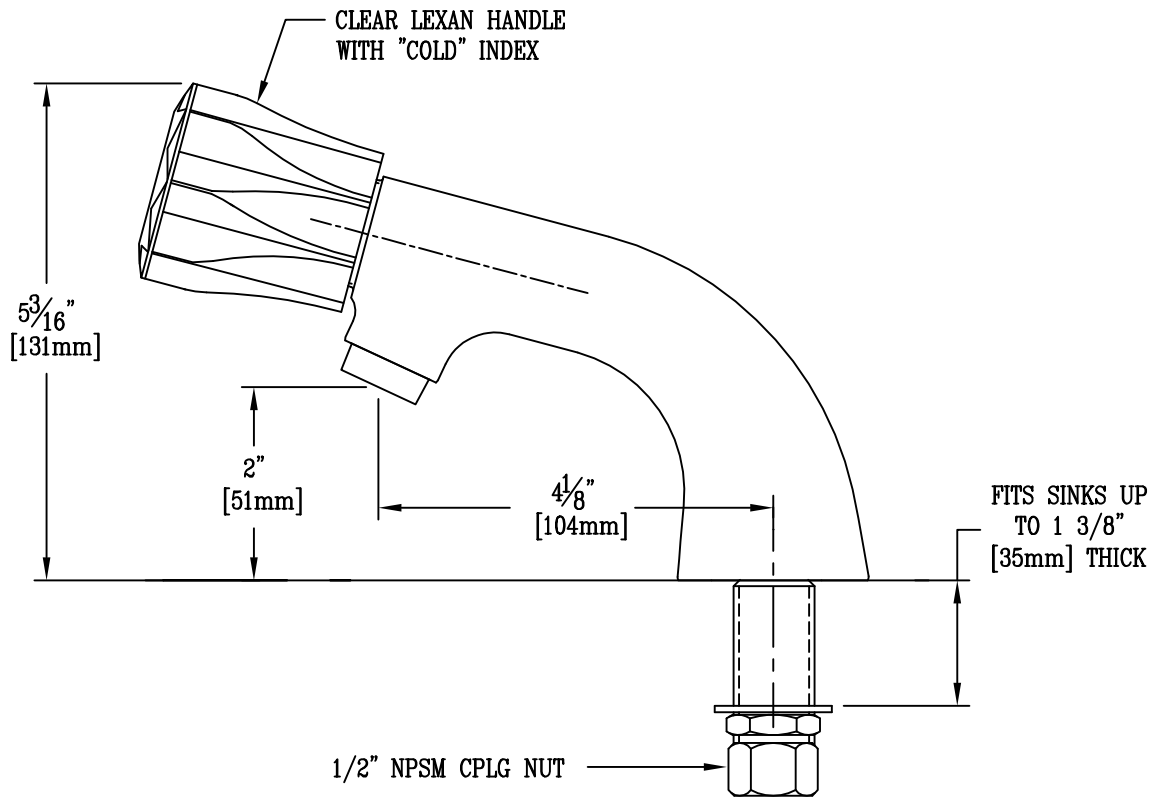
Job Name:

Architect/Engineer Approval:

Notes:



ADA COMPLIANT



Product Description:

SINGLE SINK FAUCET WITH AERATOR,
CLEAR LEXAN HANDLE, & $\frac{1}{2}$ " NPSM SHANK

Drawn:

TEH

Checked

JKD

Scale:

1 : 2

Approved

MVW

Date:

8/6/04