

T&S BRASS AND BRONZE WORKS, INC.
 2 SADDLEBACK COVE / P.O. BOX 1088 / TRAVELERS REST, SC 29690
 PHONE 800-476-4103 FAX 864- 834-3518



Model No.

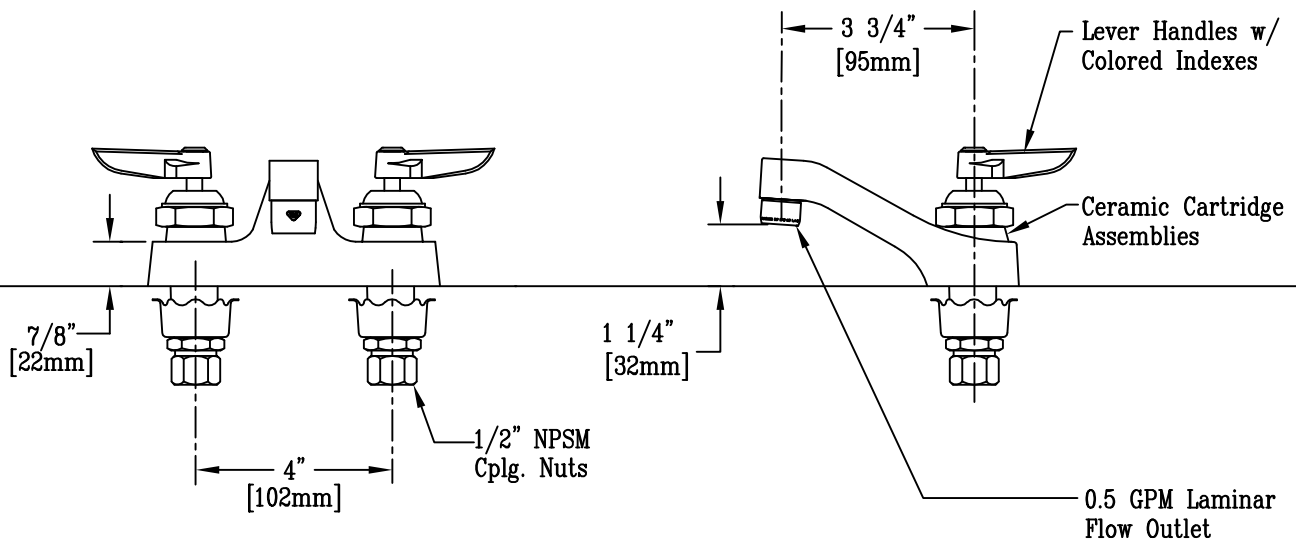
B-0871-CR-LF05

Item No.:

Job Name:

Architect/Engineer Approval:

Notes:



Product Description:
 4" Centerset Mixing Faucet w/ 1/2" NPSM Male Shanks,
 Ceramic Cartridges, Lever Handles,
 0.5 GPM Flow Control Laminar Flow Outlet

Drawn:

WJS

Checked

JRM

Scale:

1 : 4

Approved

JHB

Date:

03/18/06