



T&S BRASS AND BRONZE WORKS, INC.

2 Saddleback Cove / P.O. Box 1088
Travelers Rest, SC 29690



REG. #A2601
ISO #9001

Model No.
B-0874

Item No.

Travelers Rest, SC: 800-476-4103 Simi Valley, CA: 800-423-0150 Fax: 864-834-3518 www.tsbrass.com

This Space for Architect/Engineer Approval

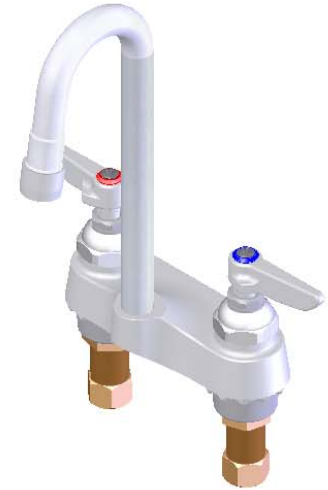
Job Name _____ Date _____

Model Specified _____ Quantity _____

Customer/Wholesaler _____

Contractor _____

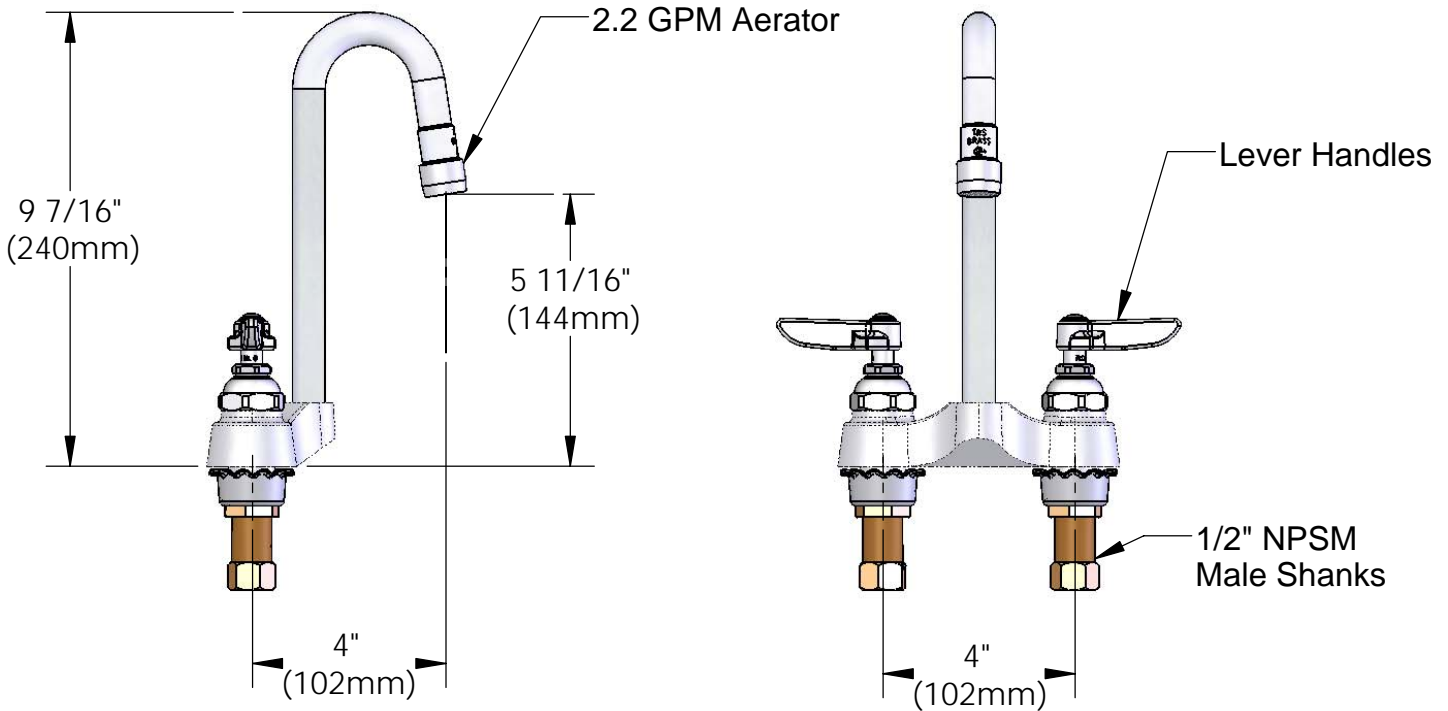
Architect/Engineer _____



- Variations or Applicable Options:
- WH6 6" Wrist Action Handles
 - WH4 4" Wrist Action Handles
 - 175F 4-Arm Kitchen Handles
 - B-0199-21 2.2 GPM Laminar Flow Outlet



ADA COMPLIANT



Product Specifications:
 4" Centerset Mixing Faucet w/ 1/2" NPSM Male Shanks,
 Eterna Cartridges, Lever Handles,
 Rigid Gooseneck, 2.2 GPM Aerator

Drawn WJS	Checked JRM	Approved JHB
Scale: 1:4		Date: 3/13/2006



T&S BRASS AND BRONZE WORKS, INC.

2 Saddleback Cove / P.O. Box 1088
Travelers Rest, SC 29690



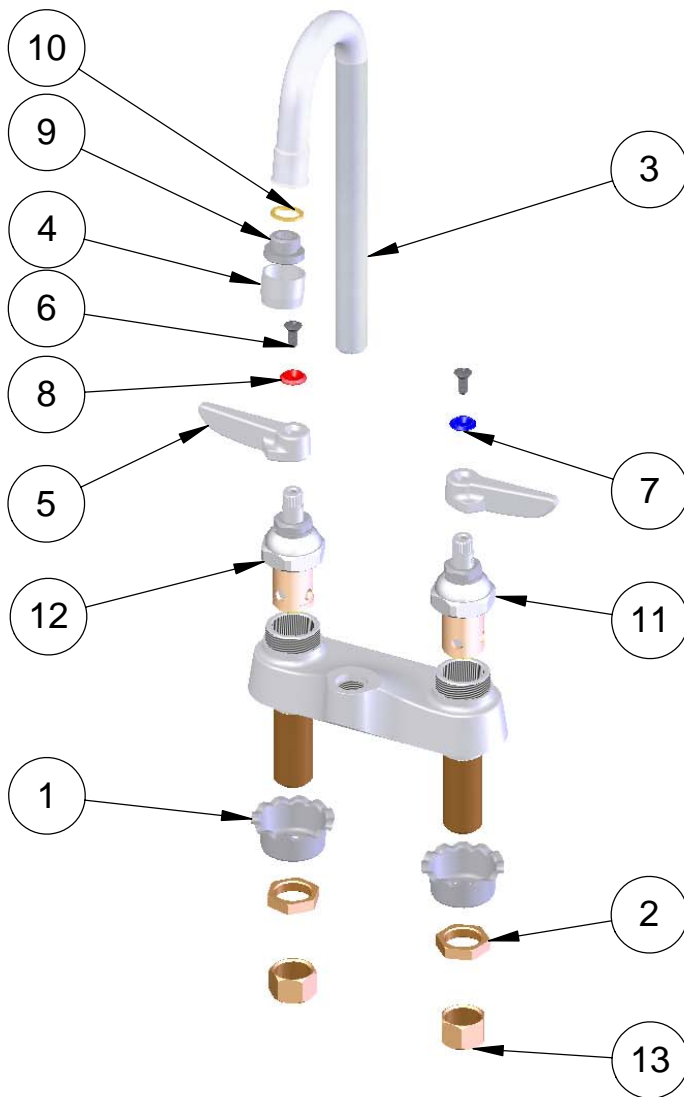
REG. #A2601
ISO #9001

Model No.
B-0874

Item No.

Travelers Rest, SC: 800-476-4103 Simi Valley, CA: 800-423-0150 Fax: 864-834-3518 www.tsbrass.com

ITEM NO.	SALES NO.	DESCRIPTION
1	001000-45	Rosette Washer
2	002954-45	Shank Lock Nut
3	000393-40	Rigid Gooseneck
4	B-0199-01	2.2 GPM Aerator
5	177F	Lever Handle
6	000922-45	Lever Handle Screw
7	001660-45	Blue Index-CW
8	001661-45	Red Index-HW
9	044A	3/8" to Aer. Adapter
10	009636-45	Washer
11	005959-40	Eterna Barrel Asm-Cold
12	005960-40	Eterna Barrel Asm-Hot
13	000958-20	Coupling Nut



Product Specifications:

4" Centerset Mixing Faucet w/ 1/2" NPSM Male Shanks,
Eterna Cartridges, Lever Handles,
Rigid Gooseneck, 2.2 GPM Aerator

Drawn WJS	Checked JRM	Approved JHB
Scale: 1:4		Date: 3/13/2006