



T&S BRASS AND BRONZE WORKS, INC.

2 SADDLEBACK COVE / P.O. BOX 1088 / TRAVELERS REST, SC 29690

PHONE 800-476-4103

FAX 864-834-3518



REG.#A2601
ISO #9002

Model No.

B-0877

Item No.:

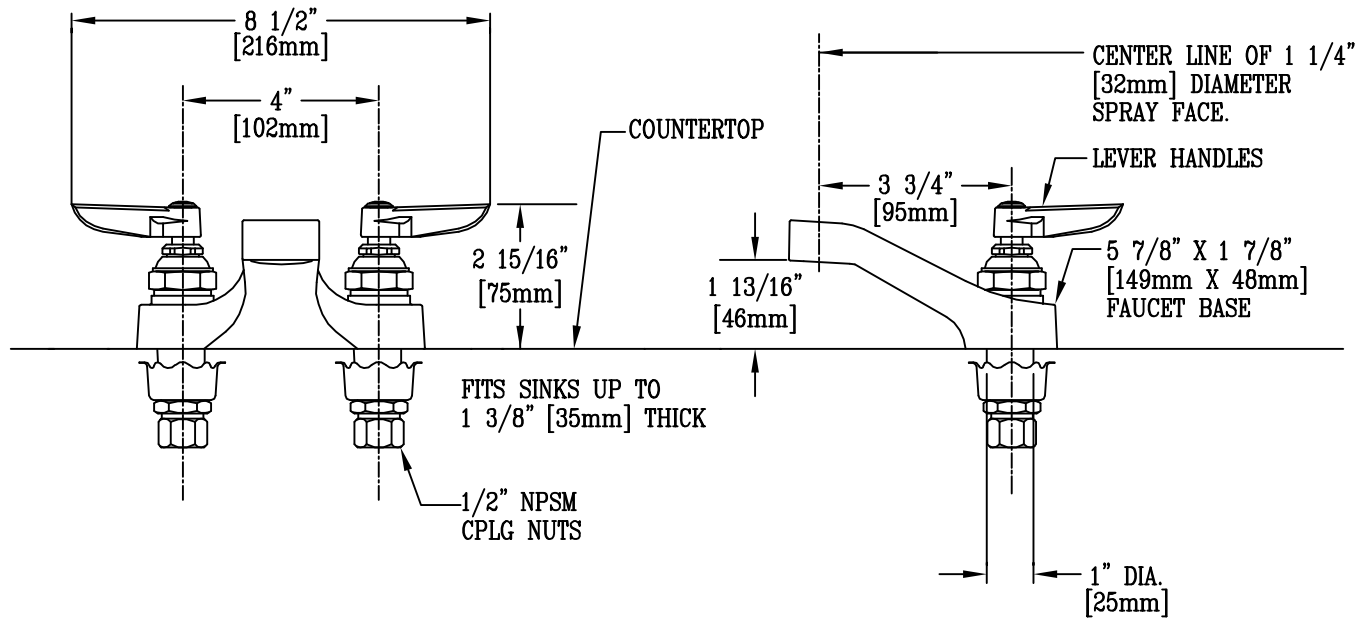
Job Name:

Architect/Engineer Approval:

Notes:



ADA COMPLIANT



Product Description:
CENTERSET COMMERCIAL MIXING FAUCET WITH
 $1 \frac{1}{4}''$ DIAMETER SPRAY FACE, AND
LEVER FAUCET HANDLES

Drawn:

DMA

Approved

CA

Checked

WJS

Scale:

$3'' = 1'$

Date:

9/12/96