



T&S BRASS AND BRONZE WORKS, INC.
 2 SADDLEBACK COVE / P.O. BOX 1088 / TRAVELERS REST, SC 29690
 PHONE 800-476-4103 FAX 864-834-3518



Model No.

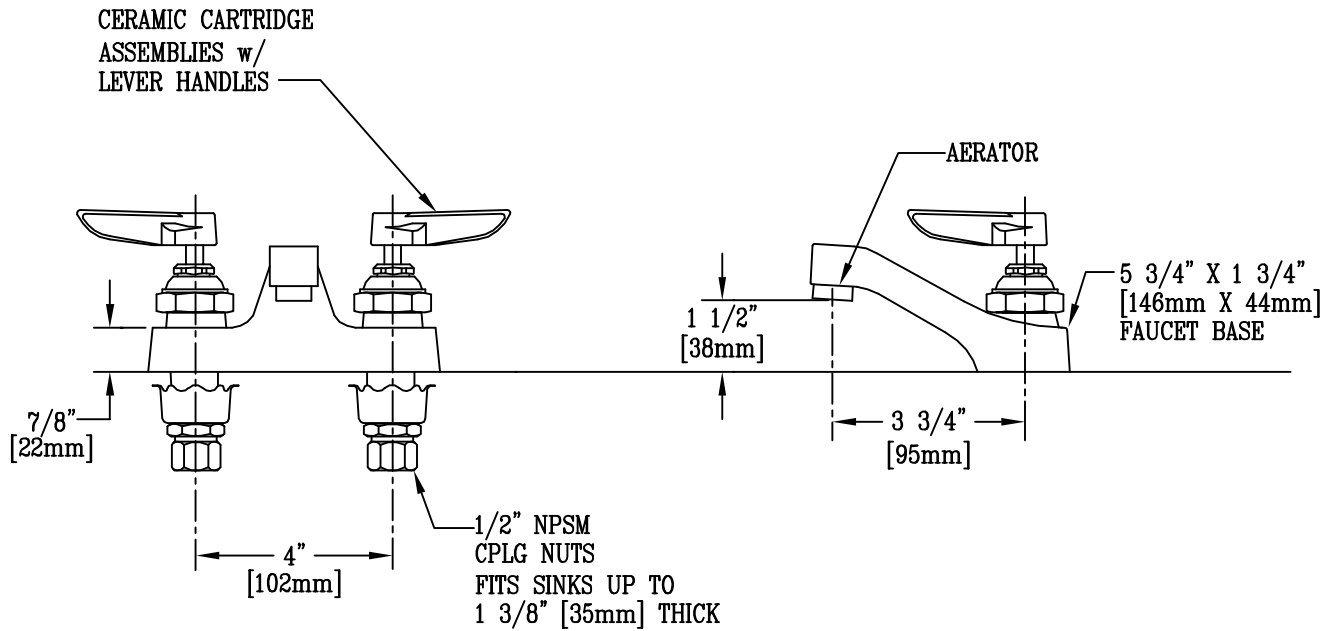
B-0890-177F

Item No.:

Job Name:

Architect/Engineer Approval:

Notes:



Product Description:
 4" c/c COMMERCIAL MIXING FAUCET WITH LEVER HANDLES,
 CERAMIC CARTRIDGES, & AERATOR OUTLET

Drawn:

WJS

Checked

JKD

Scale:

1 : 4

Approved

MVW

Date:

3/21/03