



T&S BRASS AND BRONZE WORKS, INC.

2 Saddleback Cove / P.O. Box 1088
Travelers Rest, SC 29690



REG. #A2601
ISO #9001

Model No.
B-0892-01

Item No.

Travelers Rest, SC: 800-476-4103 Simi Valley, CA: 800-423-0150 Fax: 864-834-3518 www.tsbrass.com

This Space for Architect/Engineer Approval

Job Name _____ Date _____

Model Specified _____ Quantity _____

Customer/Wholesaler _____

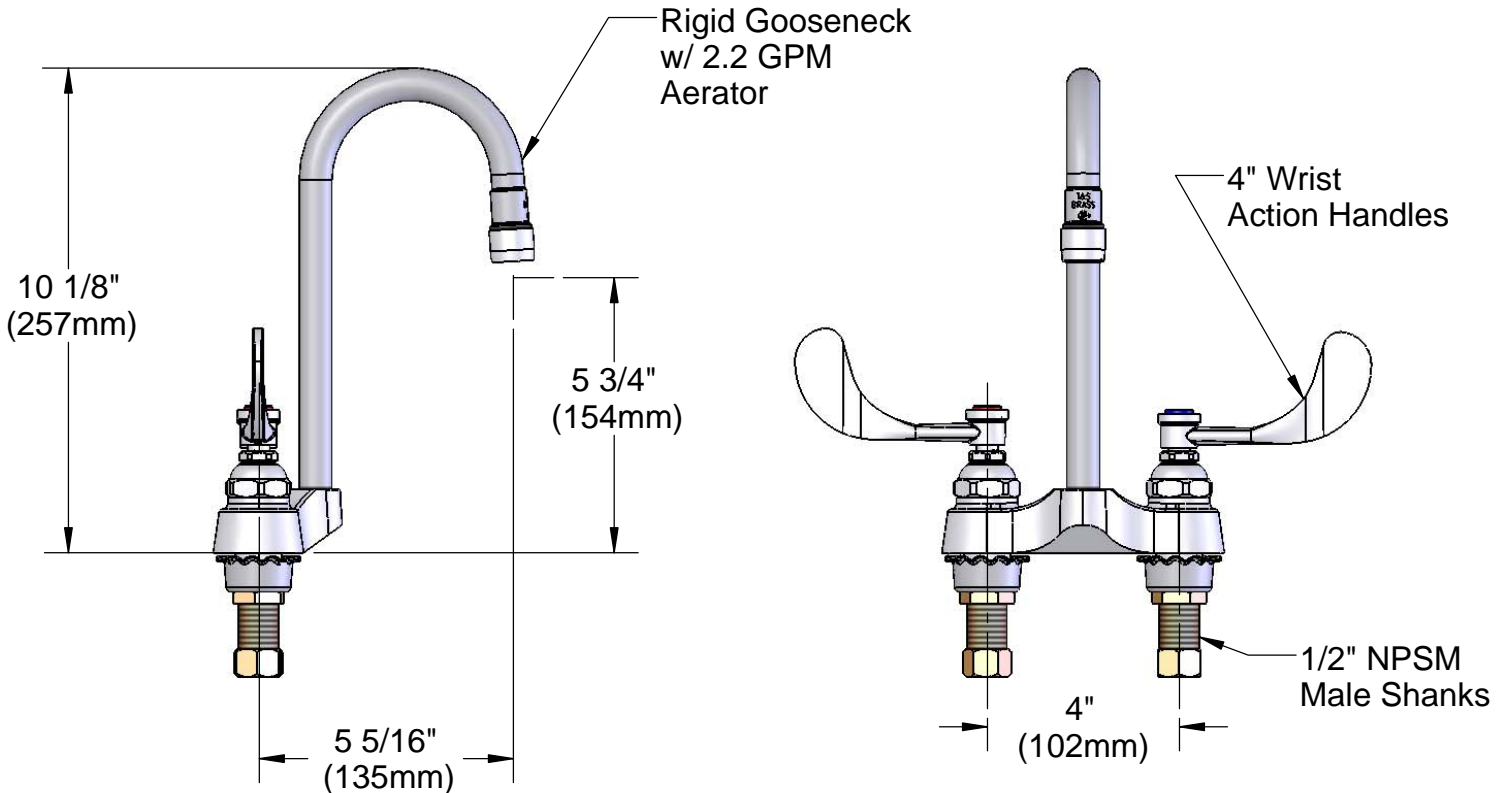
Contractor _____

Architect/Engineer _____

- Variations or Applicable Options:
- WH6 6" Wrist Action Handles
 - 177F Lever Handles
 - 175F 4-Arm Kitchen Handles



ADA COMPLIANT



Product Specifications:
 4" Centerset Mixing Faucet w/ 1/2" NPSM Male Shanks,
 Eterna Cartridges, 4" Wrist Action Handles,
 Rigid Gooseneck, & 2.2 GPM Aerator

Drawn WJS	Checked JRM	Approved JHB
Scale: 1:4		Date: 3/13/2006



T&S BRASS AND BRONZE WORKS, INC.

2 Saddleback Cove / P.O. Box 1088
Travelers Rest, SC 29690

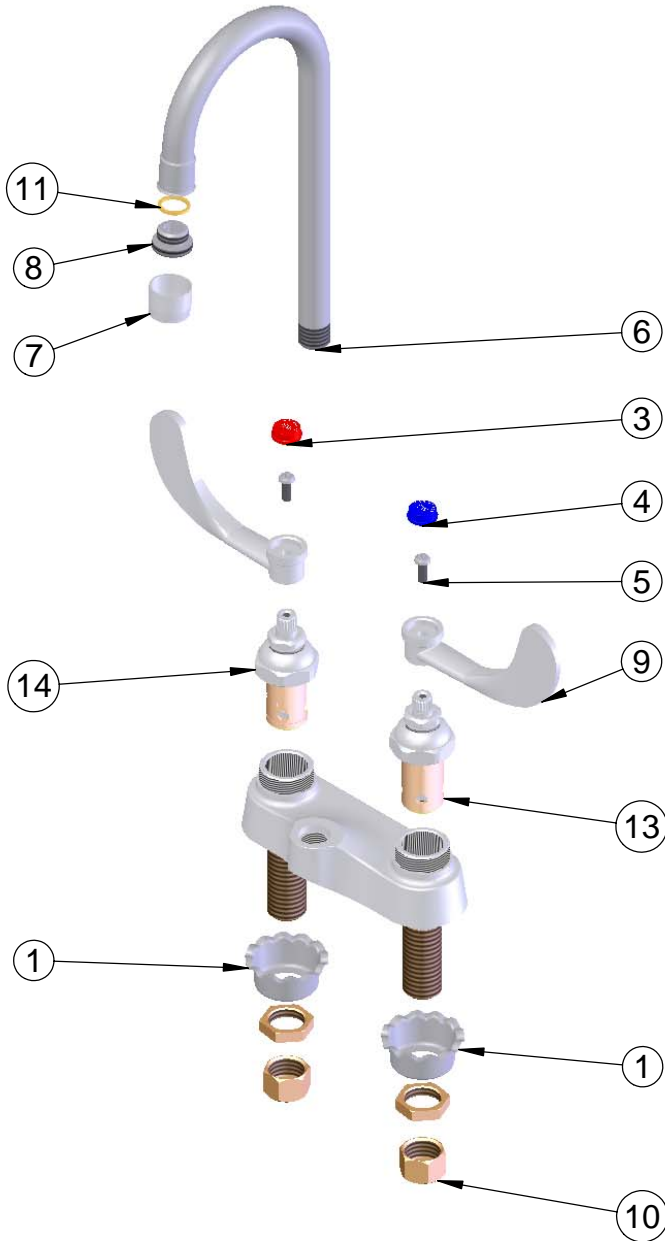


REG. #A2601
ISO #9001

Model No.
B-0892-01

Item No.

Travelers Rest, SC: 800-476-4103 Simi Valley, CA: 800-423-0150 Fax: 864-834-3518 www.tsbrass.com



ITEM NO.	SALES NO.	DESCRIPTION
1	001000-45	Rosette Washer
2	002954-45	Shank Lock Nut
3	001194-45	Red HW Index
4	001686-45	Blue CW Index
5	000925-45	Lab Handle Screw
6	002777-40	Gooseneck
7	B-0199-01	2.2 GPM Aerator
8	044A	GN to Aer. Adptr
9	B-WH4	4" Wrist Action Handle
10	000958-20	Coupling Nut
11	009636-45	Washer
13	006009-40	Cold Spindle Asm
14	006010-40	Hot Spindle Asm

Product Specifications:

4" Centerset Mixing Faucet w/ 1/2" NPSM Male Shanks,
Eterna Cartridges, 4" Wrist Action Handles,
Rigid Gooseneck, & 2.2 GPM Aerator

Drawn WJS	Checked JRM	Approved JHB
Scale: 1:4		Date: 3/13/2006