



T&S BRASS AND BRONZE WORKS, INC.
 2 SADDLEBACK COVE / P.O. BOX 1088 / TRAVELERS REST, SC 29690
 PHONE 800-476-4103 FAX 864-834-3518



Model No.

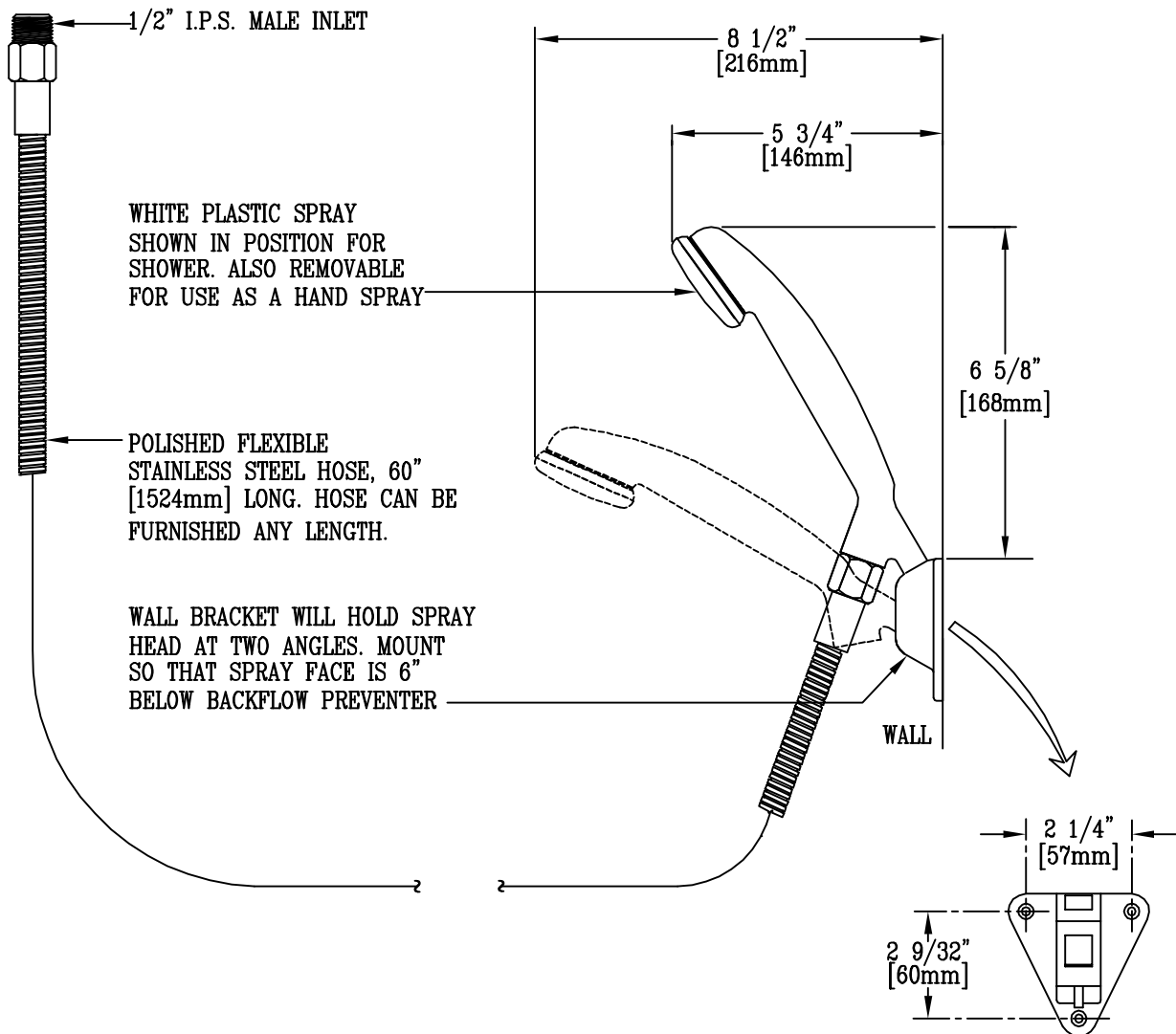
B-0937

Item No.:

Job Name:

Architect/Engineer Approval:

Notes:



WALL BRACKET MOUNTING DETAIL

Product Description:
 SHOWER QUEEN ASSEMBLY WITH POLISHED CHROME
 5'-0" FLEXIBLE STAINLESS STEEL HOSE W/ SPRAY HEAD,
 FIXED WALL BRACKET, & 1/2" IPS MALE INLET

Drawn:

WJS

Checked

JKD

Scale:

3" = 1'

Approved

CA

Date:

8/24/95