



T&S BRASS AND BRONZE WORKS, INC.

2 SADDLEBACK COVE / P.O. BOX 1088 / TRAVELERS REST, SC 29690

PHONE 800-476-4103

FAX 864- 834-3518



REG.#A2601
ISO #9002

Model No.

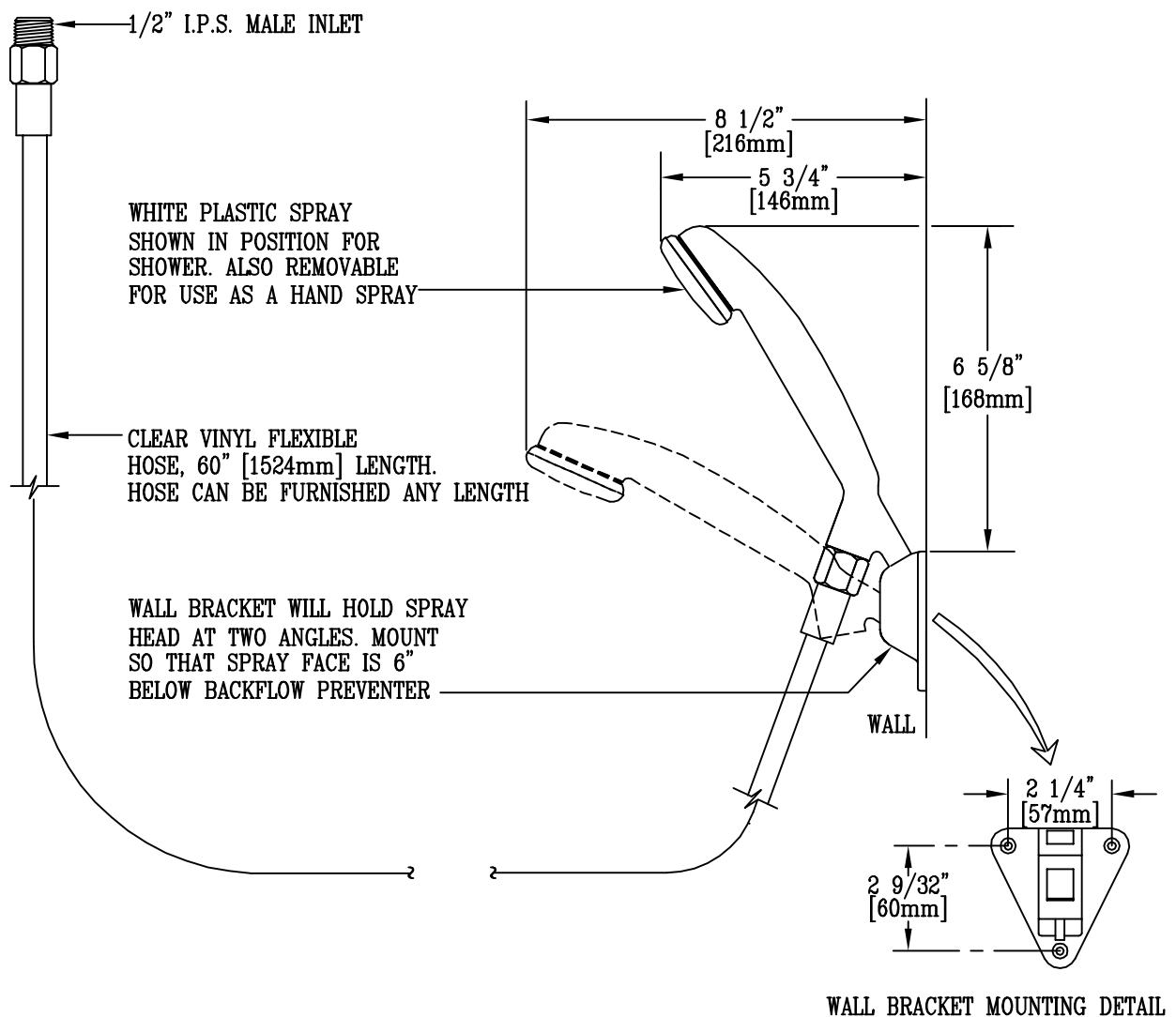
B-0938

Item No.:

Job Name:

Architect/Engineer Approval:

Notes:



Product Description:
SHOWER QUEEN ASSEMBLY WITH CLEAR VINYL FLEXIBLE HOSE WITH SPRAY HEAD, FIXED WALL BRACKET, & 1/2" IPS MALE INLET

Drawn:

WJS

Checked

JKD

Scale:

3" = 1'

Approved

CA

Date:

8/24/95