



T&S BRASS AND BRONZE WORKS, INC.
 2 SADDLEBACK COVE / P.O. BOX 1088 / TRAVELERS REST, SC 29690
 PHONE 800-476-4103 FAX 864- 834-3518



Model No.

B-0970-FE

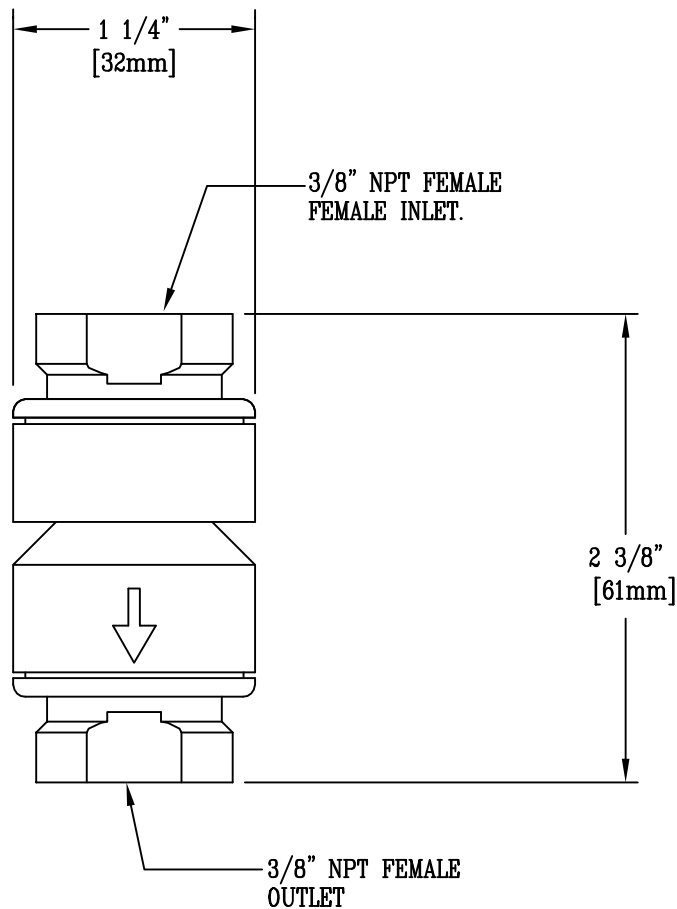
Item No.:

REG.#A2601
ISO #9002

Job Name:

Architect/Engineer Approval:

Notes:



Product Description:

ATMOSPHERIC VACUUM BREAKER
 WITH 3/8" NPT FEMALE INLET & OUTLET
 FOR CONTINUOUS PRESSURE APPLICATIONS

Drawn:

WJS

Approved

CA

Checked

SCM

Scale:

1' = 1'

Date:

8/11/95