



T&S BRASS AND BRONZE WORKS, INC.

2 SADDLEBACK COVE / P.O. BOX 1088 / TRAVELERS REST, SC 29690

PHONE 800-476-4103

FAX 864-834-3518



REG. #A2601
ISO #9002

Model No.

B-1025-UCP

Item No.:

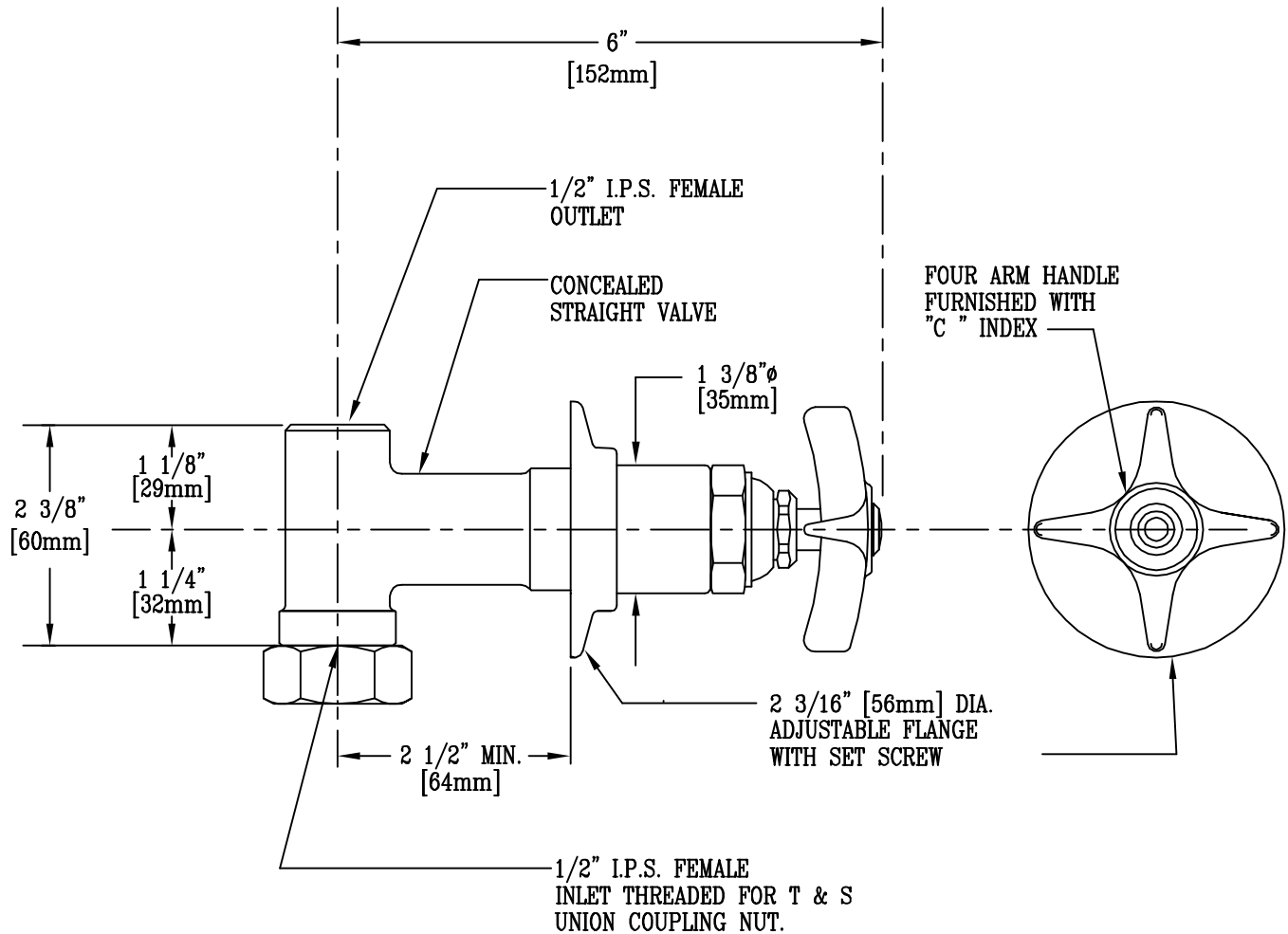
Job Name:

Architect/Engineer Approval:

Notes:



ADA COMPLIANT



Product Description:

CONCEALED STRAIGHT VALVE WITH 1/2" NPT OUTLET, T&S COUPLING NUT INLET, FOUR ARM HANDLE WITH "C" INDEX.

Drawn:

MVW

Checked

JKD

Scale:

6" = 1'

Approved

MVW

Date:

6/30/03