



T&S BRASS AND BRONZE WORKS, INC.

2 SADDLEBACK COVE / P.O. BOX 1088 / TRAVELERS REST, SC 29690

PHONE 800-476-4103

FAX 803- 834-3518



REG. #A2601
ISO #9002

Model No.

B-1026

Item No.:

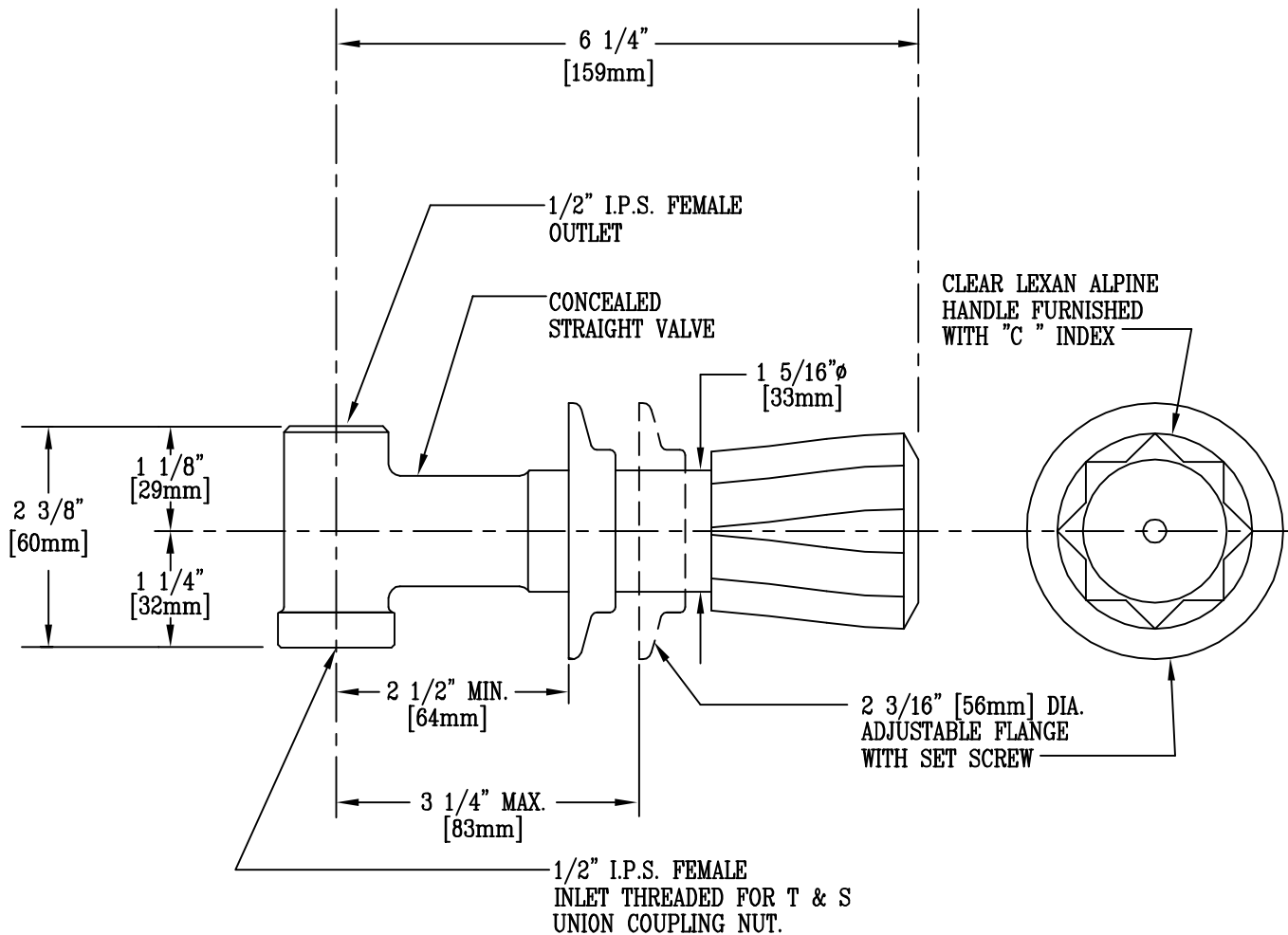
Job Name:

Architect/Engineer Approval:

Notes:



ADA COMPLIANT



Product Description:

CONCEALED STRAIGHT VALVE
WITH 1/2" I.P.S. INLET & OUTLET,
& ALPINE HANDLE INDEXED "C"

Drawn:

WJS

Approved

CA

Checked

SCM

Scale:

6" = 1'

Date:

8/11/95