

T&S BRASS AND BRONZE WORKS, INC.

2 SADDLEBACK COVE / P.O. BOX 1088 / TRAVELERS REST, SC 29690

PHONE 800-476-4103

FAX 864-834-3518



Model No.

B-1060

Item No.:

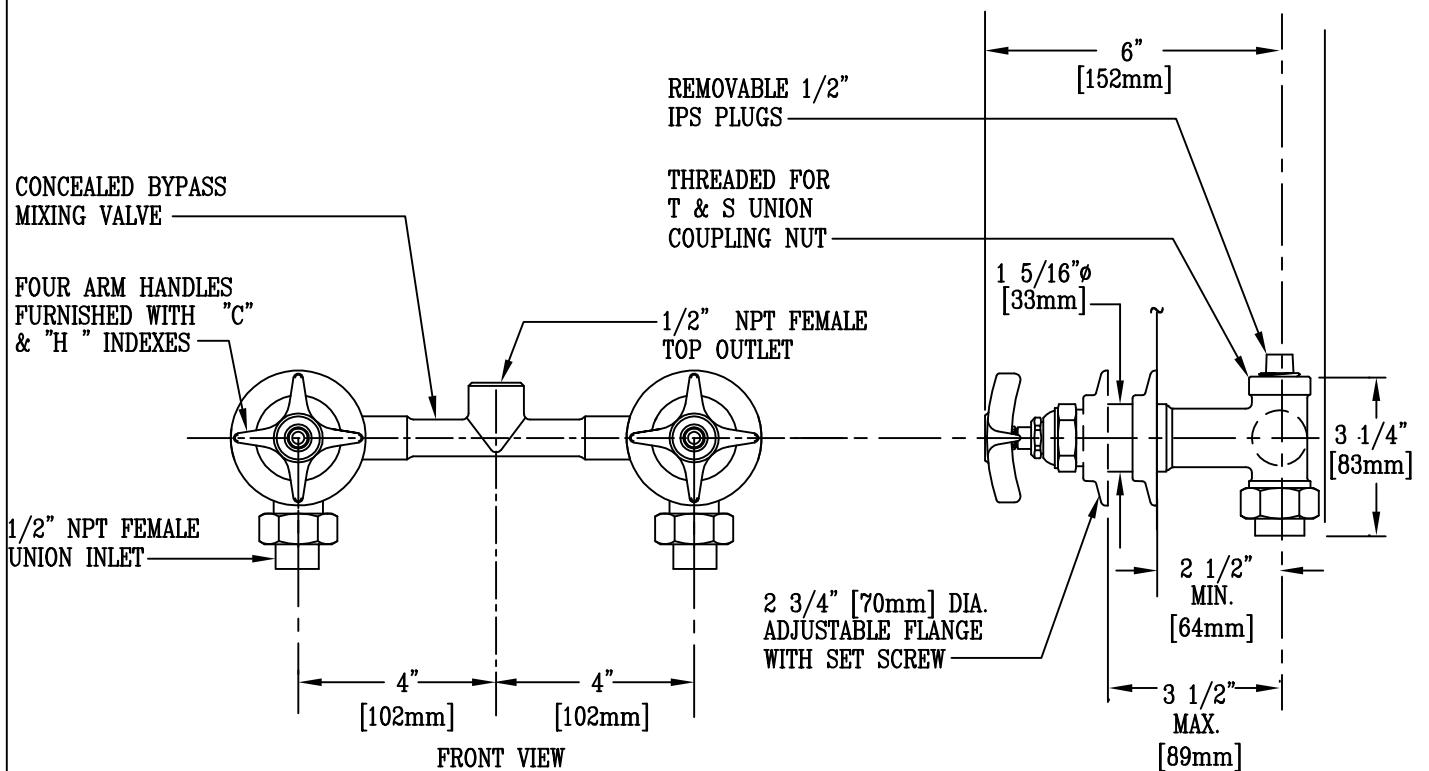
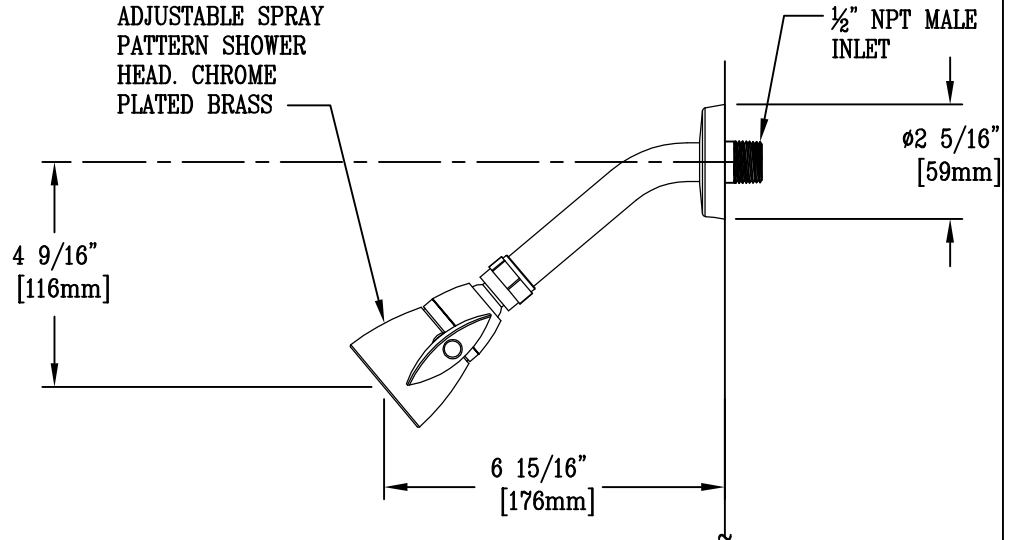
Job Name:

Architect/Engineer Approval:

Notes:



ADA COMPLIANT



Product Description:  
 CONCEALED BYPASS MIXING VALVE WITH B-1060  
 1/2" NPT FEMALE INLETS & OUTLET, FOUR ARM  
 HANDLES & ADJUSTABLE SHOWER HEAD

Drawn:

WJS

Checked

GEF

Scale:

1 : 4

Approved

JHB

Date:

8/9/06