



T&S BRASS AND BRONZE WORKS, INC.
 2 SADDLEBACK COVE / P.O. BOX 1088 / TRAVELERS REST, SC 29690
 PHONE 800-476-4103 FAX 864-834-3518



Model No.

B-1090

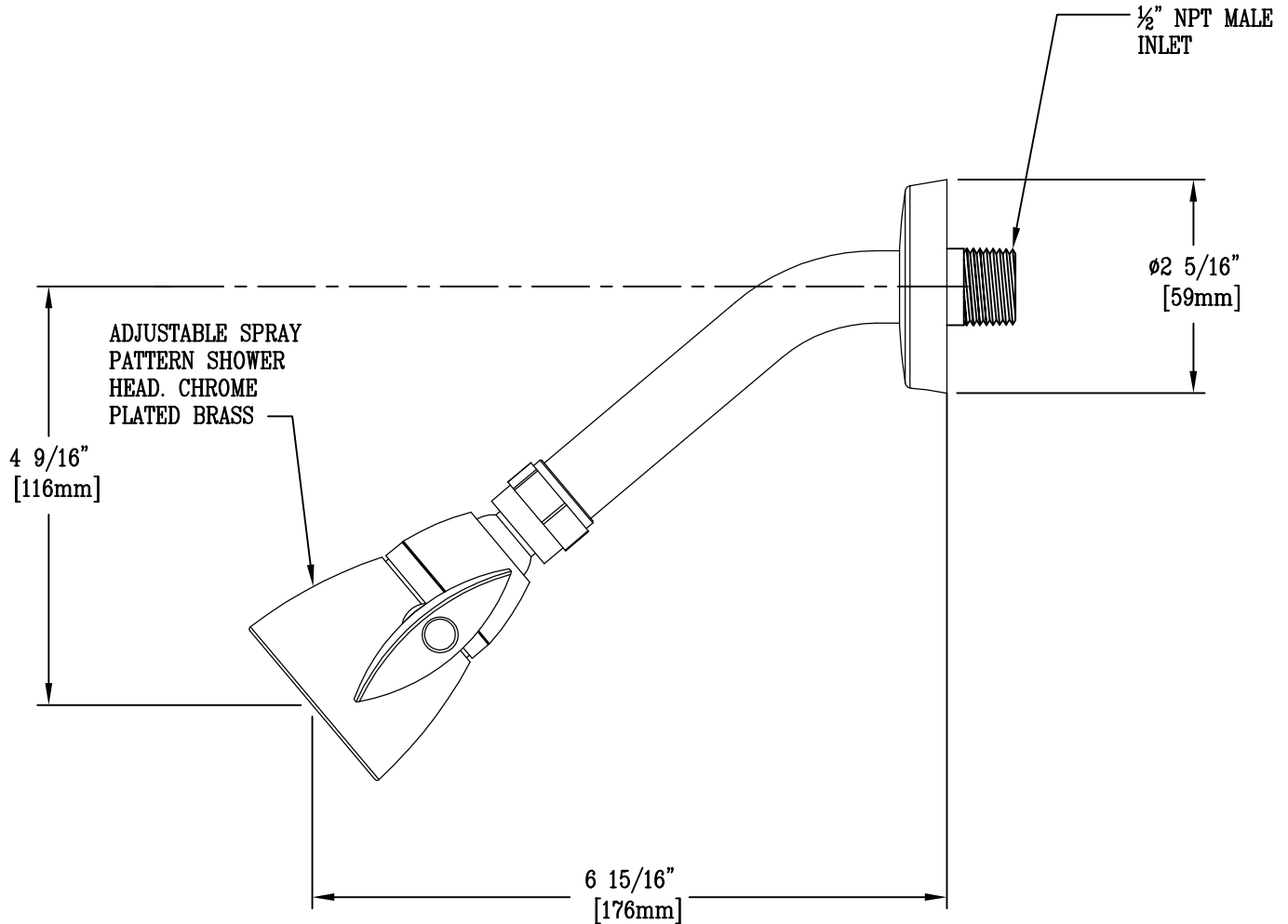
Item No.:

REG.#A2601
 ISO #9002

Job Name:

Architect/Engineer Approval:

Notes:



Product Description:
 SHOWER HEAD, ARM, & WALL FLANGE
 2.5 GPM MAX., 1/2" NPT
 MALE ARM & ADJUSTABLE FLANGE

Drawn:

WJS

Approved

JHB

Checked

GEF

Scale:

1:2

Date:

8/9/06