



T&S BRASS AND BRONZE WORKS, INC.
 2 SADDLEBACK COVE / P.O. BOX 1088 / TRAVELERS REST, SC 29690
 PHONE 800-476-4103 - FAX 864- 834-3518



Model No.

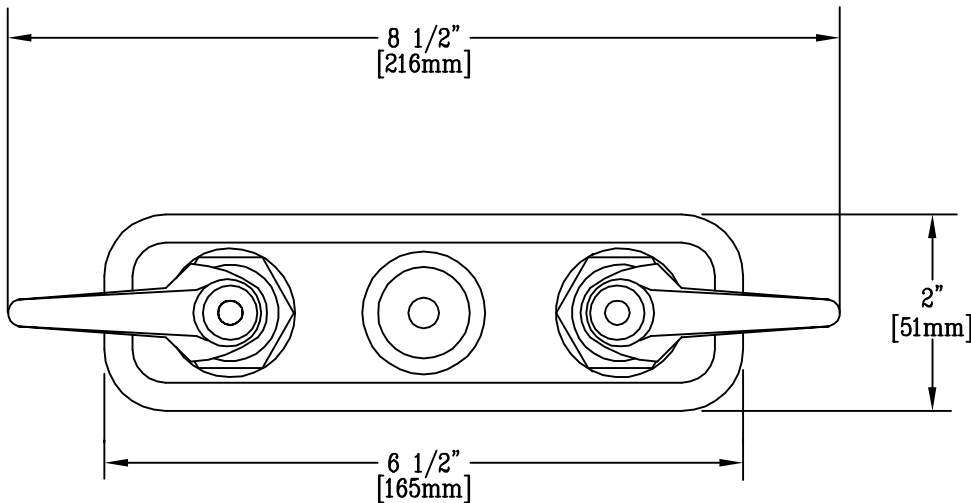
B-1110-XS

**RELIABILITY
 BUILT IN**

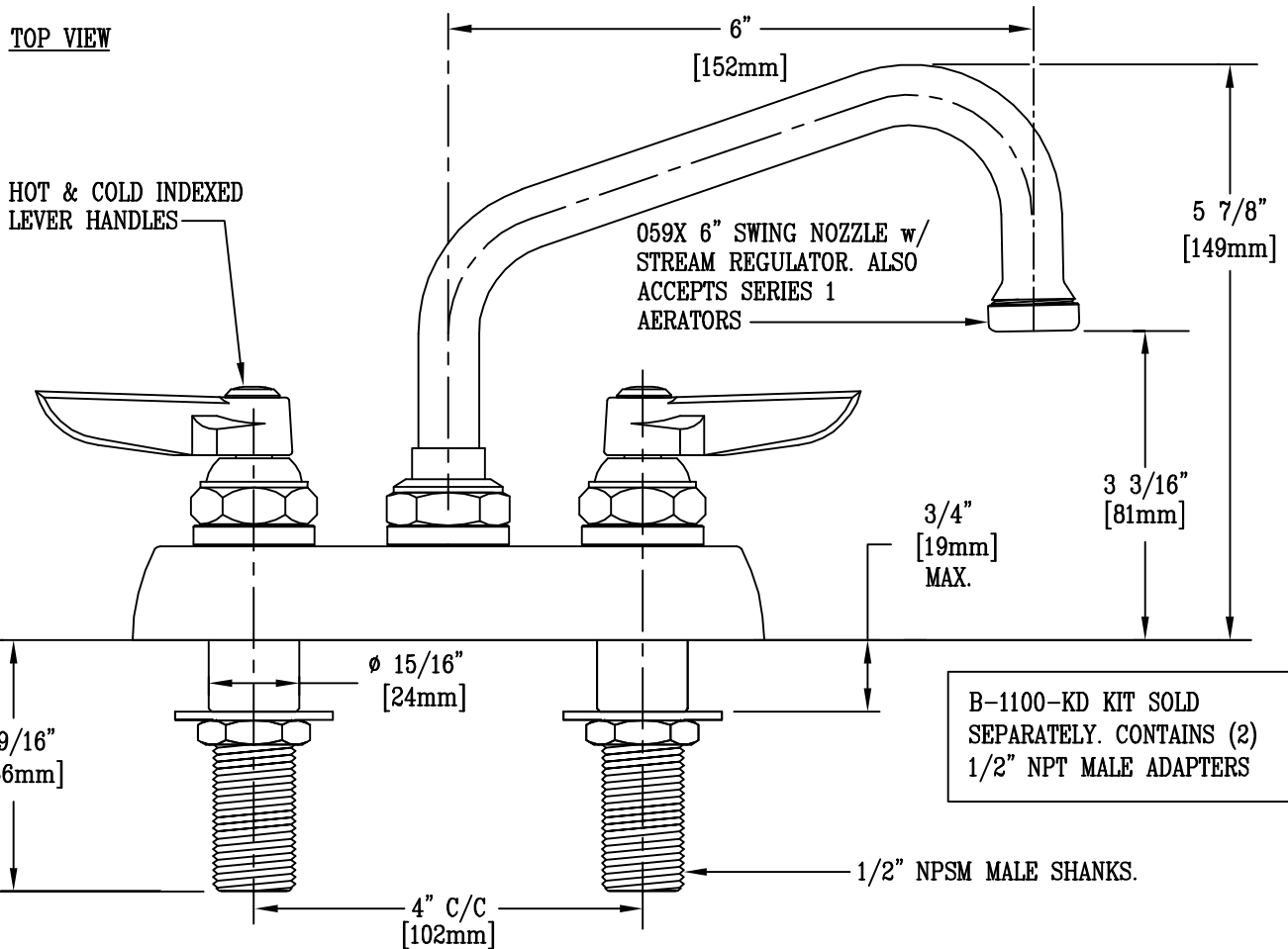
Job Name:

Architect/Engineer Approval:

Notes:



TOP VIEW



**B-1100-KD KIT SOLD
 SEPARATELY. CONTAINS (2)
 1/2" NPT MALE ADAPTERS**

Product Description:
 WORKBOARD FAUCET w/ 1/2" NPSM MALE EXTENDED SHANKS,
 4" INLET CENTERS, 059X 6" SWING NOZZLE,
 STREAM REGULATOR, LEVER HANDLES

Drawn:

WJS

Checked

JKD

Scale:

1 : 2

Approved

MVW

Date:

10-4-01