



T&S BRASS AND BRONZE WORKS, INC.
 2 SADDLEBACK COVE / P.O. BOX 1088 / TRAVELERS REST, SC 29690
 PHONE 800-476-4103 - FAX 864- 834-3518



Model No.

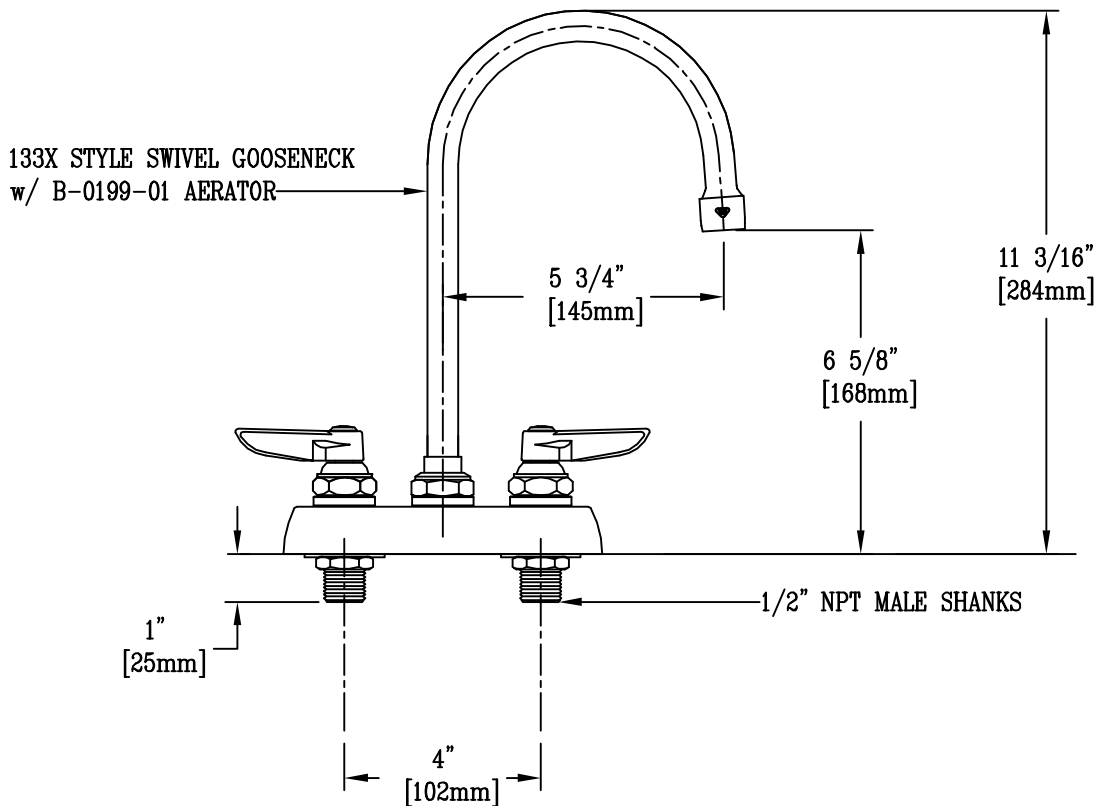
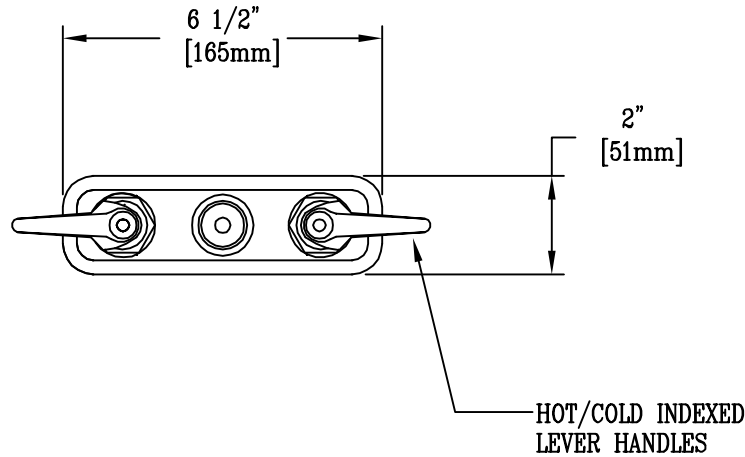
B-1138

RELIABILITY
BUILT IN

Job Name:

Architect/Engineer Approval:

Notes:



Product Description:
 WORKBOARD FAUCET WITH 1/2" NPT MALE SHANKS,
 4" INLET CENTERS, 133X STYLE SWIVEL GOOSENECK,
 LEVER HANDLES, B-0199-01 AERATOR

Drawn:

LEL

Checked

WJS

Scale:

1 : 4

Approved

MVW

Date:

7/23/03