

T&S BRASS AND BRONZE WORKS, INC.
 2 SADDLEBACK COVE / P.O. BOX 1088 / TRAVELERS REST, SC 29690
 PHONE 800-476-4103 - FAX 864- 834-3518



Model No.

B-1157

**RELIABILITY
 BUILT IN**

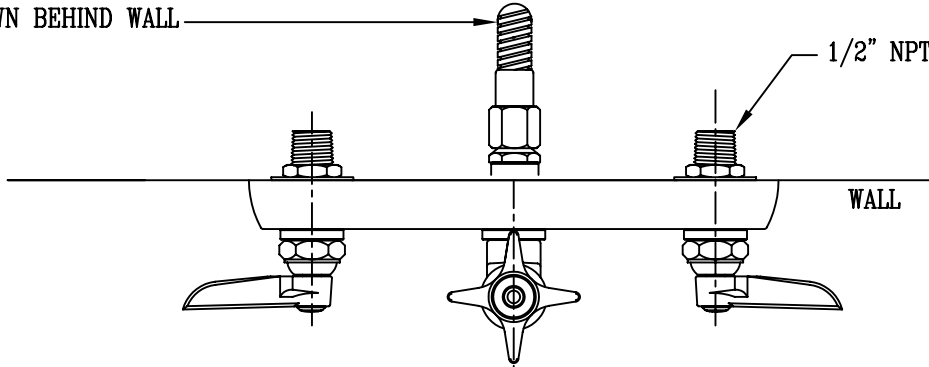
Job Name:

Architect/Engineer Approval:

Notes:

HOSE DOWN BEHIND WALL

1/2" NPT MALE SHANKS.



B-1100-K ELBOW KIT SOLD SEPARATELY. CONTAINS (2) 1/2" NPT MALE 90° ELBOWS

8"
[203mm]

OPENING FAUCET PRESSURIZES HOSE. FOR FULL HOSE PRESSURE, TURN 4-ARM HANDLE UNTIL IT POPS-UP, STOPPING WATER FLOW THROUGH NOZZLE.

SWIVEL JOINT

4 3/8" [111mm]
5 3/8" [137mm]

016A SELF-CLOSING SPRAY

2"
[51mm]

1 3/8" [35mm]

STREAM REGULATOR. ALSO ACCEPTS SERIES 2 AERATORS

10 1/2"
[267mm]

DECK

B-KF DECK FLANGE

013E-48 4 FT. ST. STEEL FLEX. HOSE

Product Description:
 WALL MOUNT WORKBOARD FAUCET WITH 1/2" NPT MALE SHANKS, 8" INLET CENTERS, 8" SWING NOZZLE, SIDESPRAY w/ 48" FLEX HOSE, LEVER HANDLES

Drawn:

WJS

Checked

JKD

Scale:

1 : 4

Approved

MVW

Date:

10-4-01