



**T&S BRASS AND BRONZE WORKS, INC.**  
 2 SADDLEBACK COVE / P.O. BOX 1088 / TRAVELERS REST, SC 29690  
 PHONE 800-476-4103 - FAX 864- 834-3518



Model No.

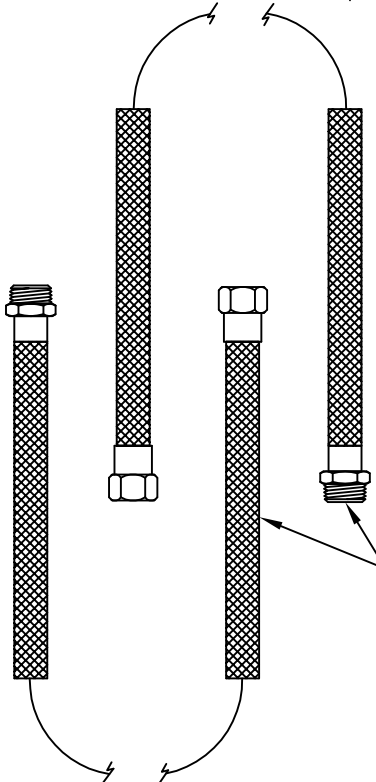
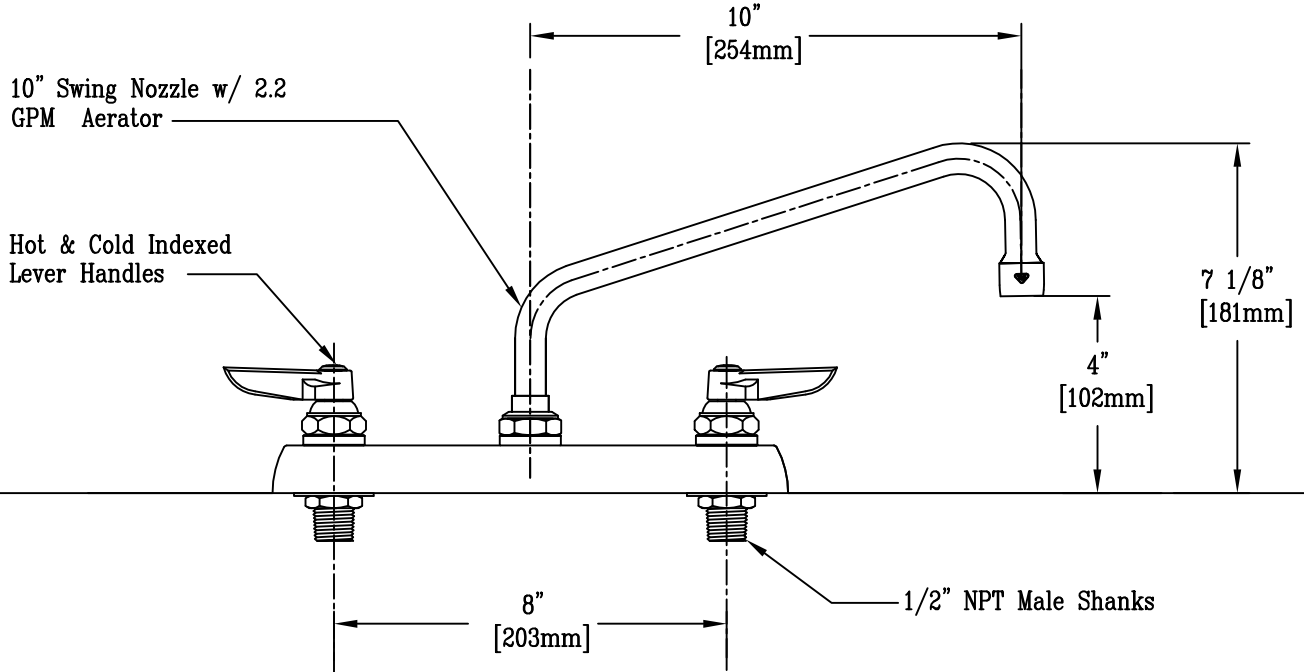
B-1164

**RELIABILITY  
 BUILT IN**

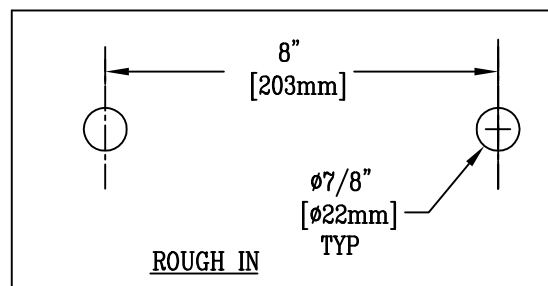
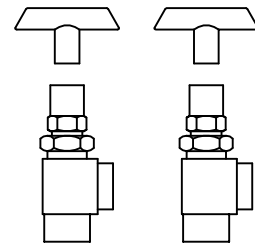
Job Name:

Architect/Engineer Approval:

Notes:



Furnished w/ (2) B-0418 Supply Stops 1/2" NPT Female Inlet.



**Product Description:**  
 8" c/c DECK MOUNT WORKBOARD FAUCET w/ 1/2" NPSM MALE SHANKS, LEVER HANDLES, 10" SWING NOZZLE, 2.2 GPM AERATOR 1/2" NPT SUPPLY STOPS, 36" FLEXIBLE SUPPLY HOSES

Drawn: WJS	Checked JRM	Scale: 1 : 4
Approved JHB	Date: 04/26/06	