



T&S BRASS AND BRONZE WORKS, INC.
 2 SADDLEBACK COVE / P.O. BOX 1088 / TRAVELERS REST, SC 29690
 PHONE 800-476-4103 - FAX 864- 834-3518



Model No.

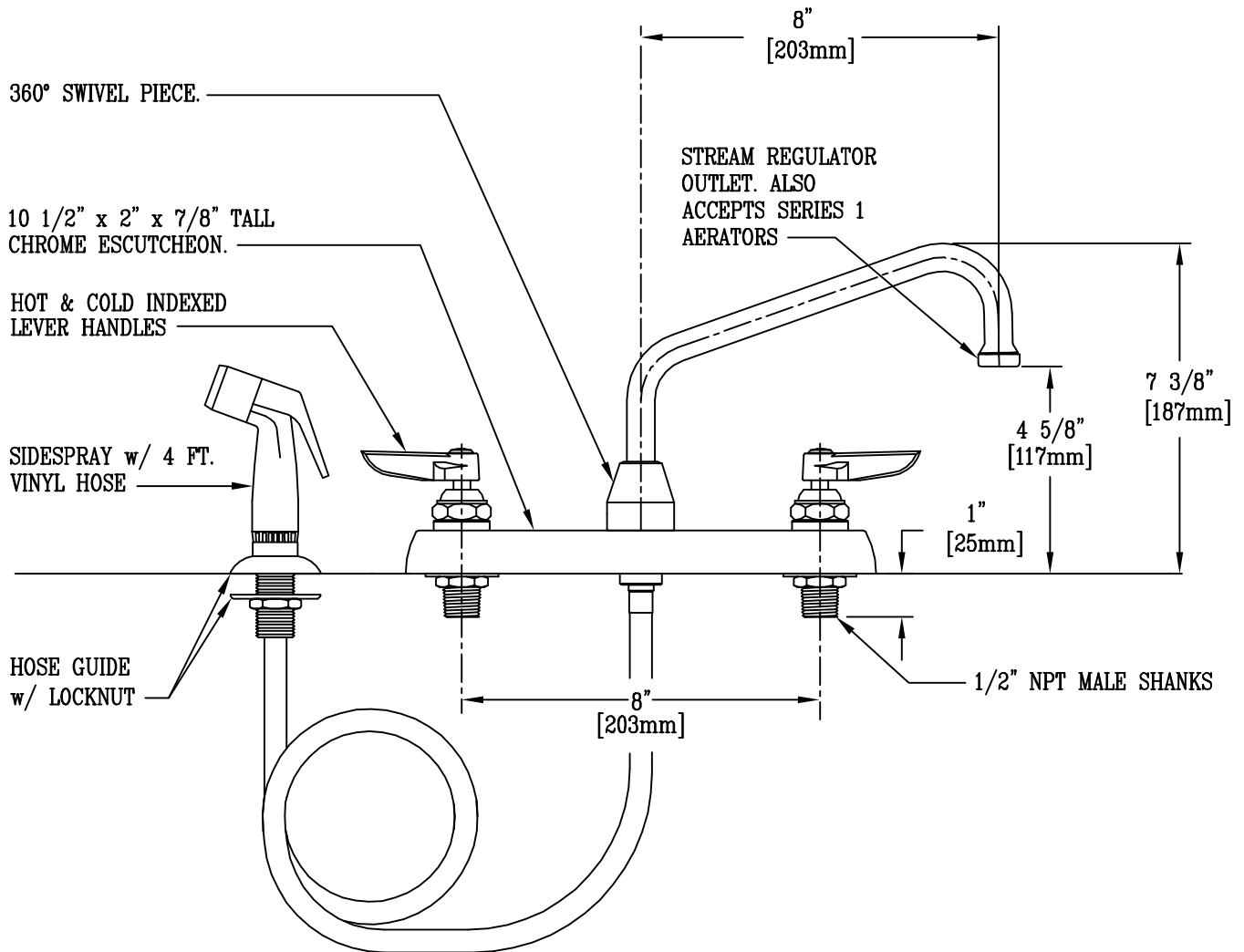
B-1172

RELIABILITY
 BUILT IN

Job Name:

Architect/Engineer Approval:

Notes:



Product Description:
 WORKBOARD FAUCET WITH 1/2" NPT MALE SHANKS, 8" INLET CENTERS, 8" SWING NOZZLE, SIDESPRAY HOSE, LEVER HANDLES

Drawn:

WJS

Checked

JKD

Scale:

1 : 4

Approved

MVW

Date:

10-4-01