



T&S BRASS AND BRONZE WORKS, INC.

2 SADDLEBACK COVE / P.O. BOX 1088 / TRAVELERS REST, SC 29690

PHONE 800-476-4103

FAX 864-834-3518



REG.#A2601
ISO #9002

Model No.

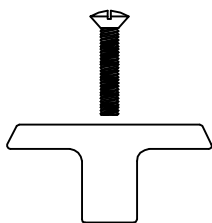
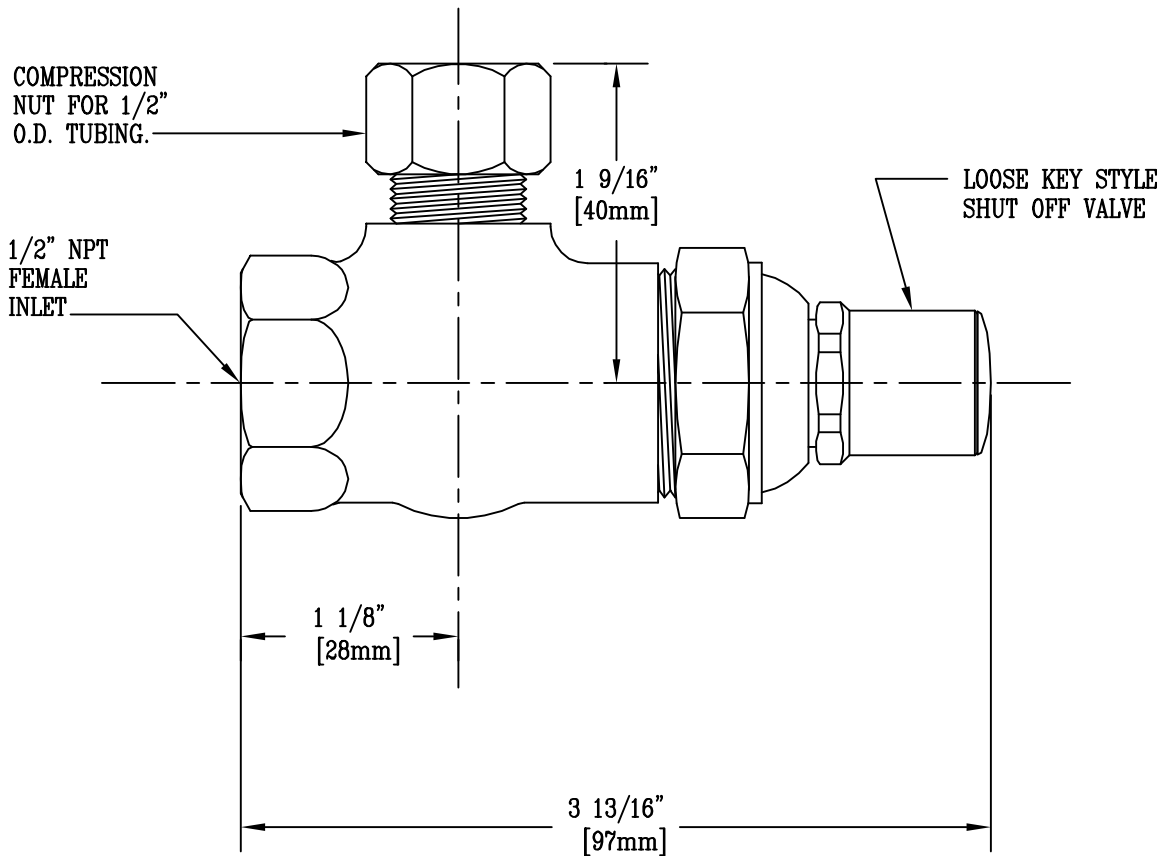
B-1342

Item No.:

Job Name:

Architect/Engineer Approval:

Notes:



LOOSE KEY AND SCREW SHIPPED LOOSELY SCALE 1:2

Product Description:
ANGLE STOP WITH 1/2" NPT FEMALE INLET,
LOOSE KEY HANDLE, COMPRESSION NUT TO
FIT 1/2" O.D. TUBING

Drawn:

TEH

Checked

LEL

Scale:

1' = 1'

Approved

MVW

Date:

01/02/03