

T&S BRASS AND BRONZE WORKS, INC.
 2 SADDLEBACK COVE / P.O. BOX 1088 / TRAVELERS REST, SC 29690
 PHONE 800-476-4103 FAX 864- 834-3518



Model No.

B-1344

Item No.:

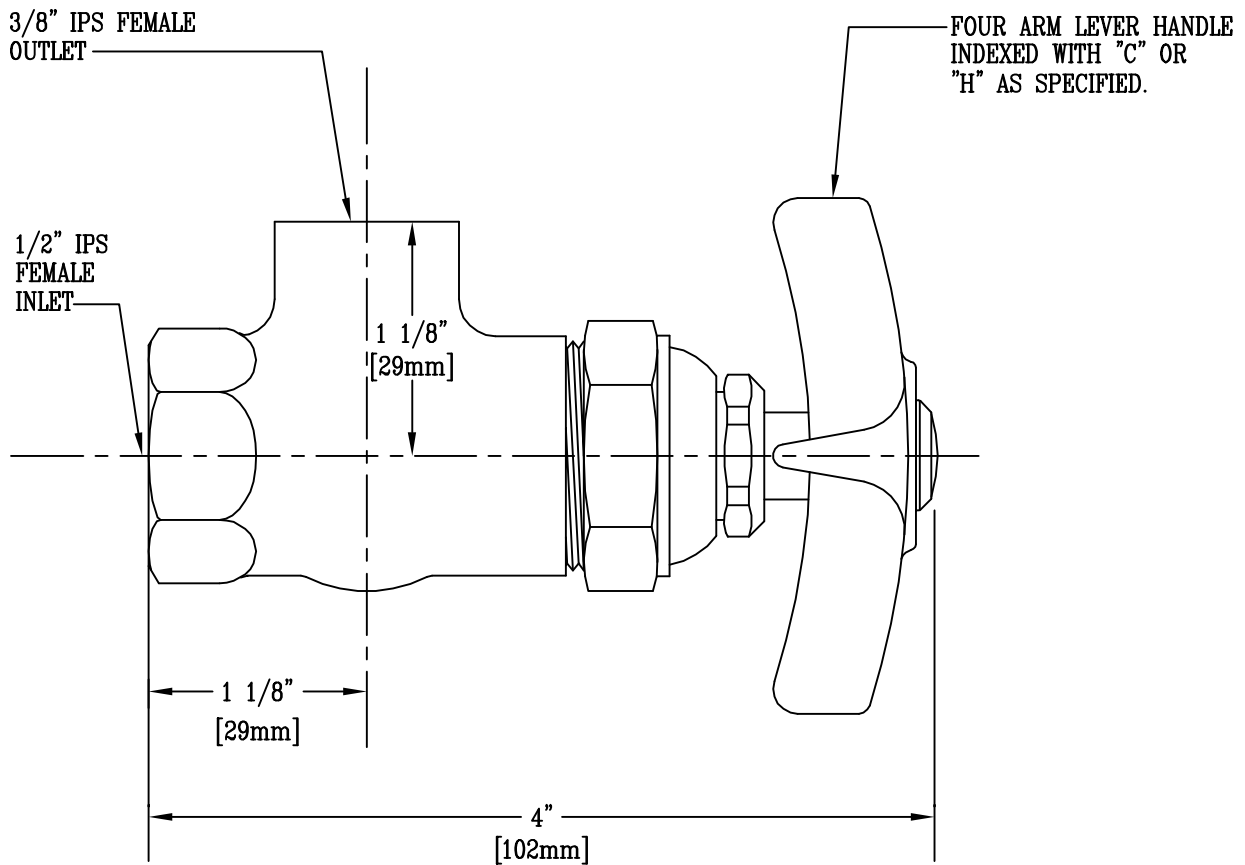
Job Name:

Architect/Engineer Approval:

Notes:



ADA COMPLIANT



Product Description:
 ANGLE STOP WOTH 1/2" NPT FEMALE INLET,
 3/8" NPT FEMALE OUTLET, 4-ARM HANDLE,
 INDEXED "C" OR "H" AS SPECIFIED

Drawn:

WJS

Checked

ARD

Scale:

1' = 1'

Approved

CA

Date:

8/11/95