



**T&S BRASS AND BRONZE WORKS, INC.**

2 SADDLEBACK COVE / P.O. BOX 1088 / TRAVELERS REST, SC 29690

PHONE 800-476-4103

FAX 864-834-3518



REG.#A2601  
ISO #9002

Model No.

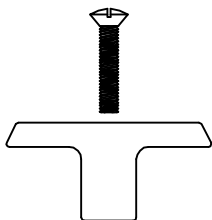
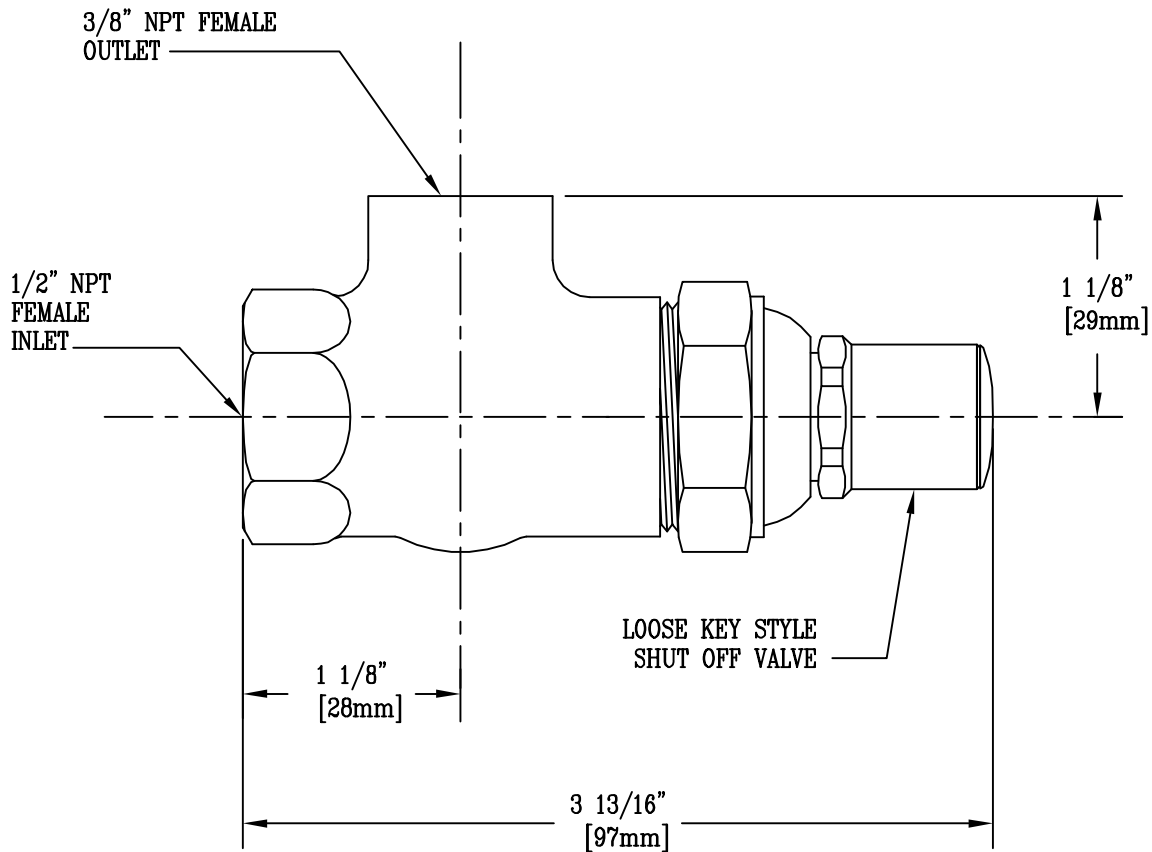
B-1346

Item No.:

Job Name:

Architect/Engineer Approval:

Notes:



LOOSE KEY  
AND SCREW  
SHIPPED LOOSELY  
SCALE 1:2

Product Description:  
ANGLE STOP WITH 1/2" NPT FEMALE INLET,  
3/8" NPT FEMALE OUTLET & LOOSE KEY HANDLE

Drawn:

TEH

Checked

LEL

Scale:

1' = 1'

Approved

MVW

Date:

01/02/03