



T&S BRASS AND BRONZE WORKS, INC.

2 SADDLEBACK COVE / P.O. BOX 1088 / TRAVELERS REST, SC 29690

PHONE 800-476-4103

FAX 864-834-3518



REG.#A2601
ISO #9002

Model No.

B-1410

Item No.:

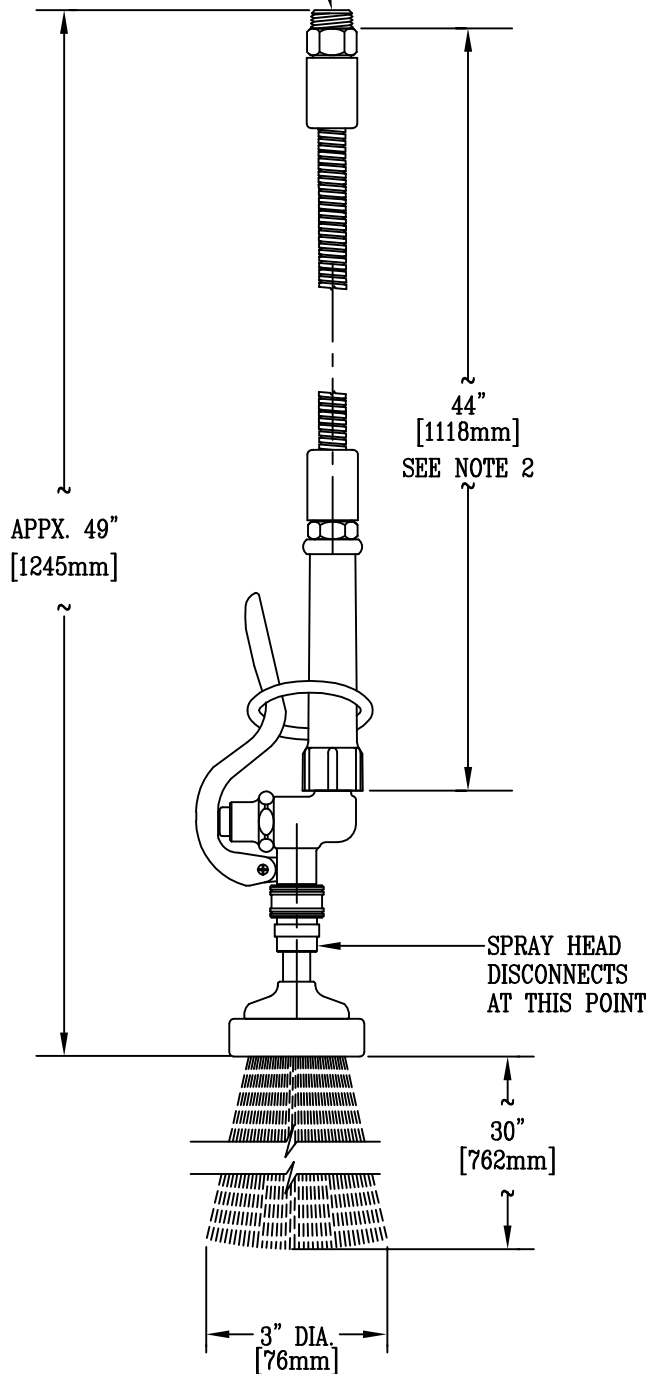
Job Name:

Architect/Engineer Approval:

Notes:

1/2" NPT MALE INLET

EPAct2005 COMPLIANT



NOTE 1: AVAILABLE WITH 3/8", 1/2", 3/4" NPT MALE OR FEMALE & GARDEN HOSE FEMALE INLET ADAPTERS & 1 1/4" MALE ADAPTERS.

NOTE 2: STANDARD HOSE LENGTH IS 44" [1118mm] ANY LENGTH IS AVAILABLE IF SPECIFIED.

Product Description:

FLEXIBLE STAINLESS STEEL HOSE & QUICK-CONNECT, SPRAY HEAD, 3 FT. POLISHED STAINLESS STEEL HOSE, 1/2" NPT MALE INLET, AUTOMATIC SHUTOFF VALVE

Drawn:

RJK

Checked

JRM

Scale:

3" = 1'

Approved

JHB

Date:

01-04-06