



T&S BRASS AND BRONZE WORKS, INC.

2 SADDLEBACK COVE / P.O. BOX 1088 / TRAVELERS REST, SC 29690

PHONE 800-476-4103

FAX 864-834-3518



Model No.

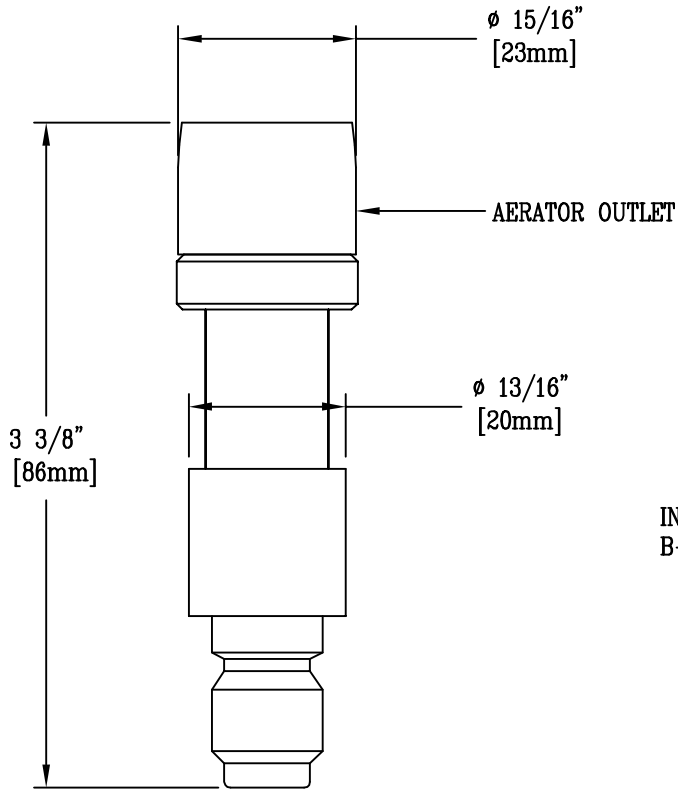
B-1426

Item No.:

Job Name:

Architect/Engineer Approval:

Notes:



B-1426: SCALE 1:1

INSERT PLUG INTO SOCKET OF B-1420 SQUEEZE VALVE

(B-1420 SOLD SEPARATELY)

ASSEMBLY: SCALE 1:2

Product Description:

QUICK-CONNECT AERATOR FOR USE
w/ B-1420 SQUEEZE VALVE

Drawn:

WJS

Approved

MVW

Checked

JKD

Scale:

1' = 1'

Date:

10-18-00