



T&S BRASS AND BRONZE WORKS, INC.
 2 SADDLEBACK COVE / P.O. BOX 1088 / TRAVELERS REST, SC 29690
 PHONE 800-476-4103 FAX 864-834-3518



Model No.

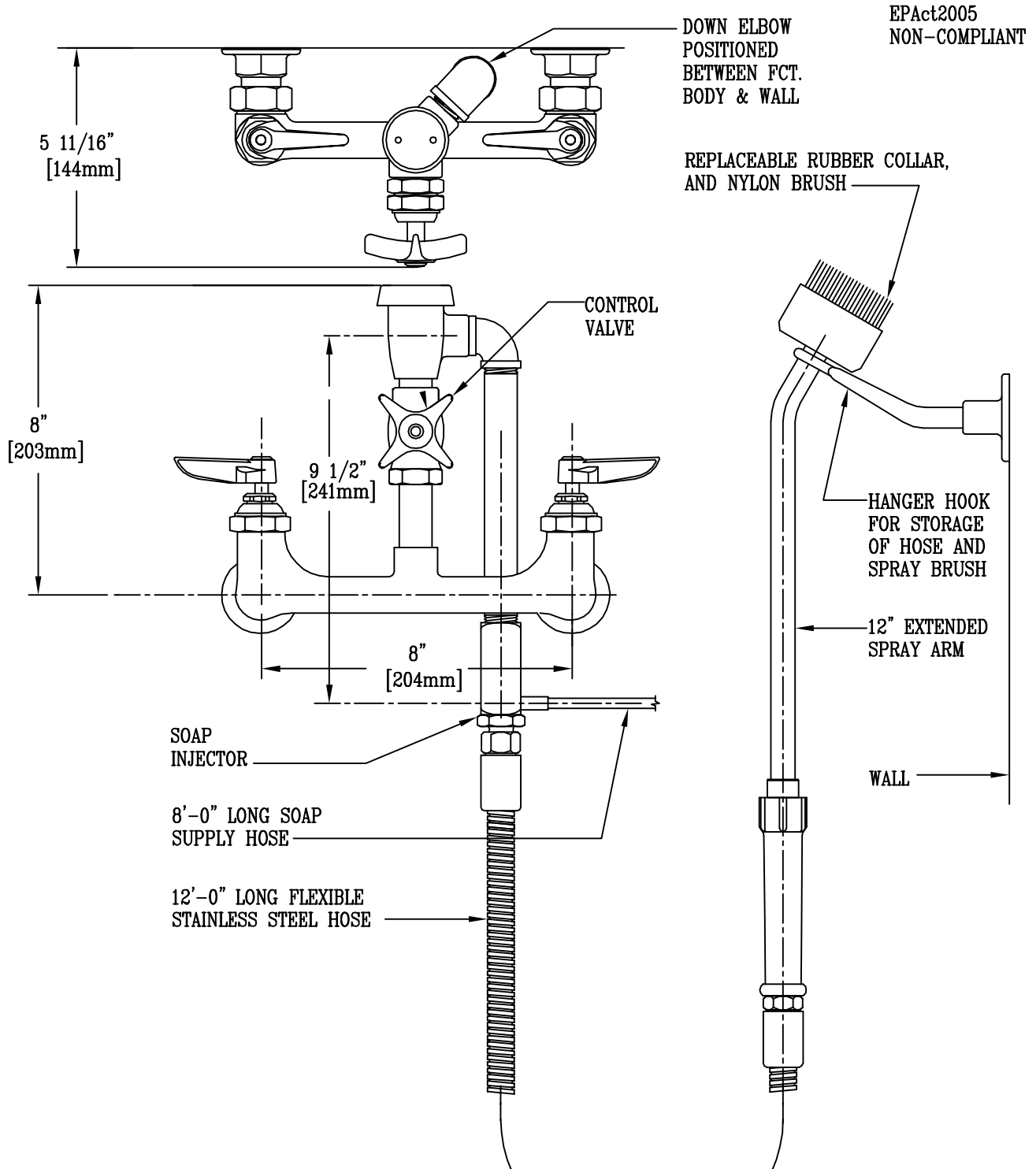
B-2117

Item No.:

Job Name:

Architect/Engineer Approval:

Notes:



Product Description:
 CART WASH SPRAY UNIT WITH SOAP INJECTOR,
 VACUUM BREAKER, 12 FT. STAINLESS STEEL HOSE,
 & 1 FT. EXTENDED SPRAY NOZZLE WITH BRUSH ATTACHMENT

Drawn:

RJK

Checked

JRM

Scale:

1:4

Approved

JHB

Date:

1/4/06